



Table of Contents

Introduction

Terms and Conditions	2
General Specifications	5
Materials & Finish Palette	7

Conference Tables

Table Specifications	12
Rectangular Conference Tables	16

Media Tables

Media Table Specifications	25
Rectangular Media Tables	30
Trapezoid Media Tables	42

Waterfall Tables

Waterfall Table Specifications	48
Counter Height Waterfall Tables	56
Bar Height Waterfall Tables	57

Credenzas

Credenza Specifications	60
Bookcase	69
3 Position Credenza	70
4 Position Credenza	72
5 Position Credenza	74
Credenza Inserts	76

Accessories

Power & Connectivity	81
----------------------	----

Terms and Conditions of Sale

Sales by DatesWeiser (hereinafter called the Seller) are made only on the terms and conditions set forth below. These terms and conditions may be modified or supplemented only by a written document signed by an authorized representative of the Seller. These terms and conditions supersede any prior and/or contemporaneous agreements or correspondence between Purchaser and Seller.

Ordering Information

All orders must be in writing.

A Purchase Order is not binding on the Seller until Purchaser has received Seller's Order Confirmation.

Pricing Policies

All written quotations expire thirty (30) days from the date of issuance and can be withdrawn by written notice anytime during that period.

Prices are List, F.O.B. from the DatesWeiser factory in Buffalo, New York. Shipping, packaging, inside delivery, uncrating, installation, storage, and sales tax (if applicable) shall be in addition to the list price and shall be itemized and charged separately.

List prices are subject to change without notice.

List prices shall be those prices in effect on the date the Seller receives a completed Purchase Order unless shipment is requested more than 120 days after the order entry, in which case prices in effect on the date of shipment apply.

Taxes

All sales, use, excise, and other taxes applicable to the sale of DatesWeiser Products shall be paid by the Purchaser. To claim an exemption from any tax, Purchaser must submit to Seller the appropriate exemption certificates.

Terms of Payment

A fifty percent (50%) deposit is due at the time of order placement and the remainder due within thirty (30) days of the date of invoice.

If, in the judgment of Seller, Purchaser's financial condition does not justify the terms of the payment, Seller may require full or partial payment in advance.

The ship date the Seller specifies is considered the invoice date for billing. The ship date will be confirmed by the Seller via a separate Acknowledgement issued upon receipt of a signed Purchase Order.

Past due accounts shall be charged one and one-half percent (1.5%) per month, or the highest rate permitted by law, which-ever is less, and will be added to the outstanding balance. In the event Purchaser defaults on payment, Purchaser shall be liable for all collection costs, including reasonable attorney's fees and costs.

Changes and Cancellations

A confirmed order may not be changed or cancelled, in whole or in part, without prior written consent of Seller. Changes may effect delivery dates. Expenses incurred because of changes shall be charged to Purchaser. In event of cancellations, Purchaser will be liable for reasonable cancellation charges, including a \$500 administrative fee.

Seller is not required to comply with Purchaser's request to change a confirmed order, but all reasonable requests to change confirmed orders will be honored. Orders for special or custom Product may not be cancelled.

To be effective, a Change Order must be in writing, signed by the Purchaser or Purchaser's agent, and confirmed in writing by the Seller. Change Orders are subject to a charge for materials, labor, and other costs as determined by Seller.

Security Interest

Until Seller receives the full payment for the Product, Seller shall have a security interest in the Product. Purchaser agrees to perform all acts, including but not limited to the execution and filing of documentation, which may be necessary to perfect and assure the security interest of Seller.

Customer's Own Material (COM)

A Purchaser who requests a material not standard to Seller's line of Products must submit a sample of the requested material to Seller prior to entry of a purchase order. Seller shall determine if the material is suitable to its manufacturing processes and meets any requirements of Underwriter Laboratories. If the COM is acceptable, Seller will then establish a price for using the COM on the Product in question.

Custom Finish Match

For custom wood or paint finishes add \$1,032 net per finish. This is a one-time matching charge. Custom finishes may extend delivery time up to four (4) weeks. Control samples of custom finishes will be provided.

Hardware

Final adjustment of furniture hardware such as hinges, drawer slides, drawer pulls, etc., at the installation and as a punch-list item, if required, is the Purchaser's responsibility.

Design

All Products shown in the Seller's Price List and Specifications Guide are, and remain, the property of the Seller, who reserves the exclusive right to manufacture them. All dimensions shown are to be considered approximate. Seller reserves the right to make changes in price, dimensions, design and/or construction without prior notice.

Shop Drawings

Seller allows for one (1) set of full shop drawings and one (1) round of minor drawing revisions in its pricing and scheduling. Thereafter, any significant changes in design, including dimensions, engineering details, and materials, or delays in reviewing and approving shop drawings, may necessitate additional charges and cause schedule delays. Seller reserves the right to determine the impact of any design changes and/or delays and will promptly notify those involved of any adjustments to cost and schedule.

Field and Hold Dimensions

If a dealer or third party is responsible for providing installation, the following is required: Full responsibility for providing accurate and timely field dimensions or hold to dimensions (in cases where walls are not erected) as it effects the ultimate fit of the installation. As an alternative, upon request, Seller can provide a cost for sending a field technician to the project site to assume responsibility for field dimensions and site evaluation.

Freight and Delivery

Products are carefully inspected and packaged before leaving the factory to ensure they reach their destination in excellent condition. Whenever possible, the Seller will ship in accordance with the Purchaser's instructions. If Purchaser does not specify shipping instructions, Seller will use its best judgment to determine the most suitable shipping method, route, and carrier.

Conditions beyond the control of Seller, including weather, available facilities and traffic conditions, may affect time of delivery.

Storage

If the Purchaser cannot accept delivery per the ship date specified in the Seller's Acknowledgement, the Seller may transfer the merchandise to storage, either at its facility or at another facility.

Purchaser will be charged a storage fee of two percent (2%) of the invoice for every thirty (30) days the products are stored at the Seller's facility.

For products stored in another facility, all out-of-pocket costs of storage, including transportation and warehousing fees, will be at the Purchaser's expense.

The Purchaser will be invoiced for all product charges on the date the Products are transferred to storage. Storage fees will accrue monthly in full month increments (they are not pro-rated for partial months) and will be added to the first invoice, which will also include non-product charges such as shipping, installation, etc.

Returns

Purchasers may not return Products without Seller's written approval and shipping instructions. Unauthorized returns, and returns shipped inconsistently with Seller's instructions, will be automatically refused by the Seller's receiving department.

Products not currently offered for sale by Seller, including special and custom Products, shall not be authorized for return. All returned Products must be unused, in original condition and in original Seller shipping cartons. No refund or credit shall be given for damaged Products.

Claims

All shipments for Sellers Product are F.O.B. Origin. All risk of loss passes to Purchaser at time of delivery to carrier. Purchaser shall inspect all Products upon receipt and note any damage on the Bill of Lading and make an immediate request for inspection of damage by carrier. Seller is not responsible for damage that occurs in transit or storage.

Damage that becomes apparent after the Product is unpacked should be reported to the carrier and the Seller within twenty-four (24) hours of receipt. Damage that is incurred at a furniture dealer's warehouse is the responsibility of the furniture dealer.

For claims relating to Product damaged in transit, or for any other claims relating to or arising out of the transportation of the Product, Purchaser must seek recovery from the carrier. Seller may, upon request, assist Purchaser with filing of such claims with the carrier.

Claims for defects, errors, or shortages must be made in writing by Purchaser against Seller within 72 hours after delivery. Failure to make such claim within 72 hours shall constitute unconditional acceptance of the Products and a waiver of any apparent defects, errors, or shortages.

Warranty

Seller warrants its Products to the original Purchaser to be free of defects in workmanship and materials under normal use and under conditions for which the Product was designed for a period of five years for custom product and 12 years for standard product. This remedy is exclusive. Seller does not authorize any person to create for it any obligation or liability.

During this warranty period, Seller will repair, or at its option, replace, such Product proven to be defective. Seller shall not be liable for commercial loss or any consequential or incidental damages that may arise as a result of defective Product.

This limited warranty does not apply to:

- Damage caused by a carrier other than the Seller.
- Product not properly maintained per Seller instructions. Maintenance and proper environmental conditions are described in Seller's Published Price List. All furniture should be used in a stable, controlled atmosphere and positioned to avoid direct sunlight. Ideal climate is 65 to 75 degrees Fahrenheit with 30 to 55% relative humidity.
- Normal wear and tear or acts or omissions of parties other than Seller. This warranty does not cover any product repaired or altered by any person not so authorized by Seller, including user modification, improper use or installation of Products.
- Customer's Own Material and Customer's Specified Laminates.
- Durability or suitability of any exterior surface coatings or treatments.
- Matching of color, grains or texture except as specified in the Seller's Order Confirmation and the finish sample.
- Natural variations occurring in wood, stone, and glass shall not be considered defects, and the Seller does not guarantee the colorfastness or matching of colors, grains or textures, or surface hardness of such materials.
- Adequacy of any electronic components.
- Durability of glass used in Product.
- Live Edge natural slabs used for table tops.

Seller must be notified within 72 hours of receipt of shipment for any initial claims for defects, errors or shortages.

To obtain the benefit of this warranty, contact Seller in writing. It is the responsibility of the Purchaser to arrange the return of Product to Seller and to assume all costs relating to any incidental or consequential damages.

Disclaimers

THE EXPRESS WARRANTIES CONTAINED IN THIS SELLING POLICY ARE THE ONLY WARRANTIES THAT DATESWEISER MAKES AND TAKE THE PLACE OF ALL OTHER WARRANTIES, EXPRESS OR IMPLIED, INCLUDING ANY WARRANTIES OF MERCHANTABILITY OR FITNESS FOR PARTICULAR PURPOSE AND ALL OTHER WARRANTIES ARISING FROM COURSE OF DEALING OR USAGE OF TRADE.

Corporate Office / Factory

1700 Broadway Street

Buffalo, NY 14212

p 716.891.1700

General Specifications

Note:

Line drawings in this price list are purely for quick product identification without form of detail and cannot be used to satisfy production dimensions, shape or support options. Refer to Planning Guide for detailed product information.

Wood Components

Tops are 1-1/4" or 2" thick.

Bases are constructed using 3/4" thick material with mitered corners, in two widths (3-1/2" and 6") and two depths (24-1/2" and 30-1/2"). Bases also have a hinged access door for wire management.

Levelers

All bases are equipped with floor levelers to level the table.

Grommets

Please contact customer service at customerservice@datesweiser.com or your local DatesWeiser representative to request a quote based on your specific needs. To find your local representative, visit

www.datesweiser.com/contacts.

Power & Connectivity

All tables have various Topmount and Undermount power & connectivity options. All options are available with either Hardwire, Plug-In or Linkable infeeds. For more information, see the "Accessories/Power & Connectivity" section at the back of this price list.

Wire management is easily handled vertically through the bases (via the hinged access door) and horizontally through the aprons.

Access door on 3-1/2" wide bases uses 3/4" finger-pull gap above the door to open.

Access door on 6" wide bases uses touch latch to open.

Wood Finishes and Materials

Selecting materials and other features are the first steps to ordering your DatesWeiser furniture. As you move through the steps on the product pages, you will need to fill in the blanks with the codes for the finishes and features you select.

Wood veneers are selected from the finest hardwoods available around the world and top coated with a low-VOC, post-catalyzed finish. The typical sheen is 30%.

Veneers come in two price ranges (Tiers), and described as follows:

1. Cut (Plain-sliced, rift, quartered, engineered)
2. Species (Oak, Walnut, etc.)
3. Finish (Natural, Smoked, Dark, Cerused, etc.)

Quartered, rift-cut and engineered veneers are slip matched except for Black Limba.

Plain-sliced veneers are book matched.

Examples:

1. T124 (Denotes Tier 1 Plain sliced Maple, Natural)
2. T227 (Denotes Tier 2 Quartered Walnut, Natural)

Paint Finishes and Materials

SL__ (Satin Lacquer)

Opaque paint with a 50% typical sheen.

HG__ (High Gloss Polyester) Opaque paint with a hand rubbed high gloss finish.

*Color codes are entered in the blanks.

Metal Finishes and Materials

MC__ Powder Coat

A coating applied electrostatically as a dry powder, then cured under heat to allow it to flow and form a 9skin9. Used to create a hard finish that is more durable than conventional paint.

PM__ Premium Metal Electroplating produces a premium metal finish.

*Color codes entered in the blanks.

Finishing Excellence

DatesWeiser collaborates with leading colorists to develop a palette particularly suited to the executive workplace. This range is available on all our products and coordinates with our extensive veneer offering.

To order finish samples, please contact customer service at customerservice@datesweiser.com or your local DatesWeiser representative. To find your local DatesWeiser representative, visit www.datesweiser.com/contacts.

If you do not see what you want, we are happy to work with you to develop a unique product solution.

Datesweiser printed and veneer samples offer an example of what a typical veneer will look like, within a range of acceptability carefully determined by DatesWeiser. Samples and printed sample materials should be used as reference only.

FSCT® Certification:

FSC®-C103565

Responsibility harvested materials certified
by the Forest Stewardship Council®

Materials & Finish Pallette

Veneer Finishes come in (2) sheens.

M = 15% Sheen

L = 35% Sheen

Veneer: Tier 1 - Natural

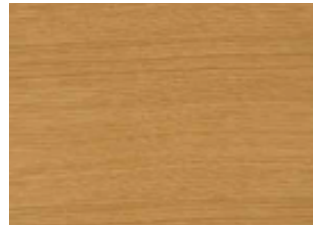
Applies to Tops & Bases



T001 White Quarter Cut Ash



T002 Natural Flat Cut Oak



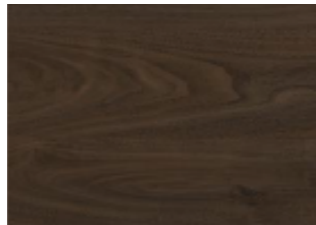
T003 Natural Rift Cut Oak



T004 Natural Flat Cut Walnut



T005 Cashmere Flat Cut Walnut



T006 Persian Flat Cut Walnut



T007 Ebonized Flat Cut Ash



T014 Natural Flat Cut Maple



T019 Natural Rift Cut European Oak

Materials & Finish Pallette

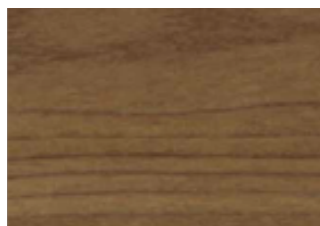
Veneer Finishes come in (2) sheens.

M = 15% Sheen

L = 35% Sheen

Veneer: Tier 1 - Engineered

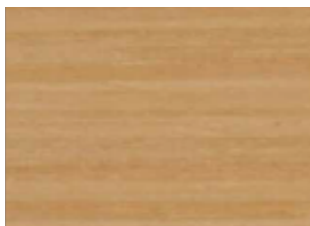
Applies to Tops & Bases



R008 RecoGrain Natural Flat Cut Walnut



R009 RecoGrain Natural Quarter Cut Walnut



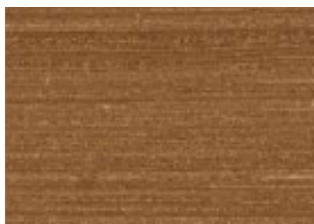
R010 RecoGrain Natural Quarter Cut Oak



R011 RecoGrain Frosty Quarter Cut Ash



R012 RecoGrain Natural Quarter Cut Rima Oak



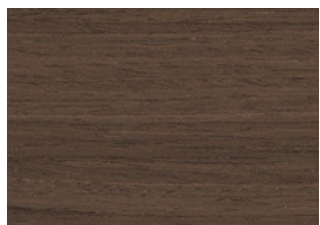
R013 RecoGrain Natural Quarter Cut Rima Walnut



GET RecoGrain Clear on Ash



GEU RecoGrain Oak on Ash



GEV RecoGrain Walnut on Ash



G637 Techwood Natural Oak



G644 Techwood Light Walnut



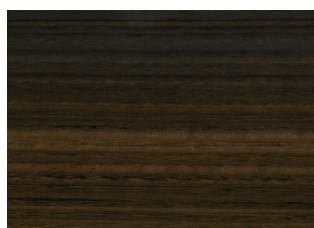
G645 Techwood Dove grey Oak

Veneer: Tier 2 - Natural

Applies to Tops & Bases



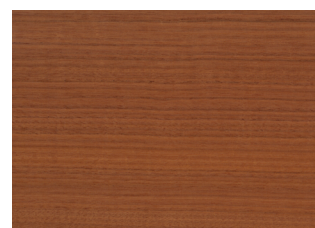
T015 Natural Quarter Cut Walnut



T016 Fumed Quarter Cut Eucalyptus



T016 Fumed Quarter Cut Figured Eucalyptus

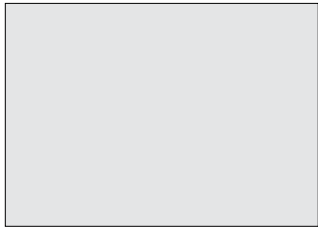


T017 Natural Quarter Cut Makore

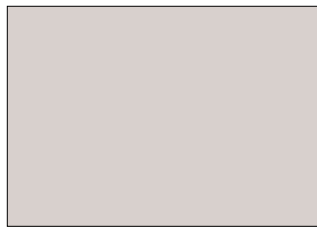
Materials & Finish Pallete

Satin Lacquer

Applies to Bases Only



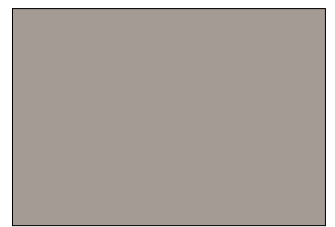
SL01 White



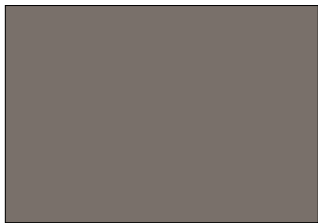
SL02 Light Beige



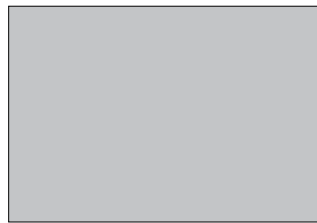
SL03 Sand



SL04 Taupe



SL05 Light Brown



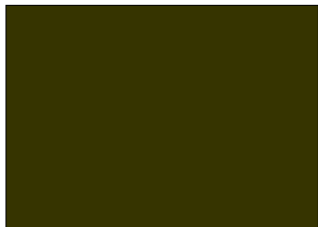
SL06 Light Grey



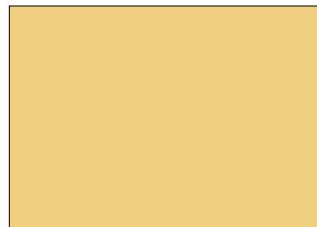
SL07 Quartz Grey



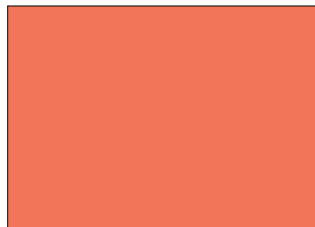
SL08 Umbra Grey



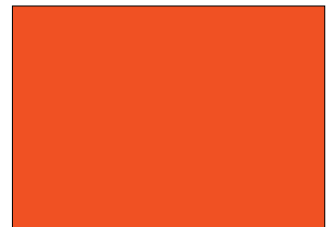
SL09 Black Brown



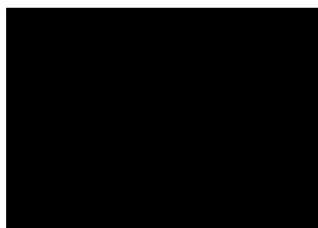
SL10 Yellow Finch



SL11 Jack O Lantern



SL12 Racing Orange



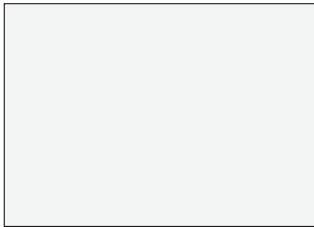
SL13 Jet Black



HG20 / SL20 Red

Materials & Finish Pallete

Metal: Powder Coat



MC01 White



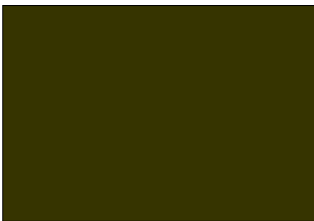
MC02 Light Grey



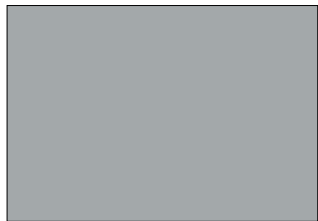
MC03 Quartz Grey



MC04 Umbra Grey



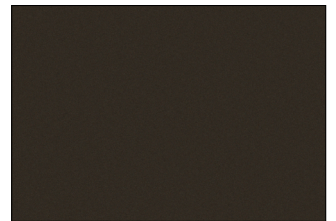
MC05 Black Brown



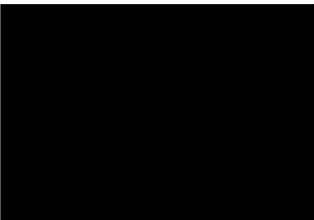
MC06 Silver



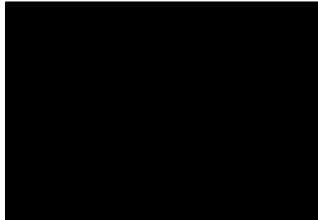
MC08 Gunn Powder



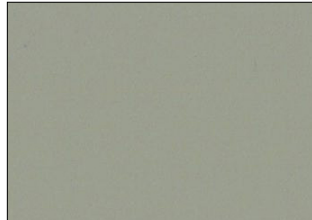
MC09 Bronze



MC11 Jet Black



MC12 Black

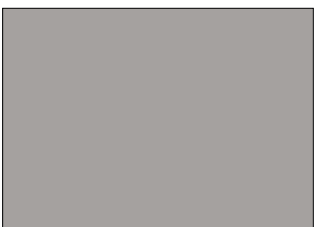


MC13 Warm Grey



MC20 Red

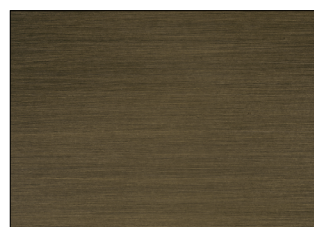
Metal: Premium



PM01 Polished Chrome



PM02 Satin Nickel



PM03 Oil Rubbed Bronze

JD Collection Conference Tables

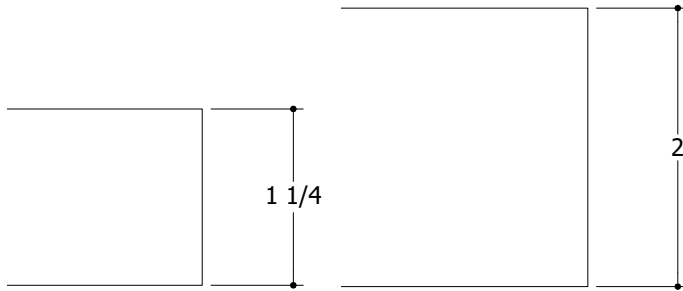


DATESWEISER

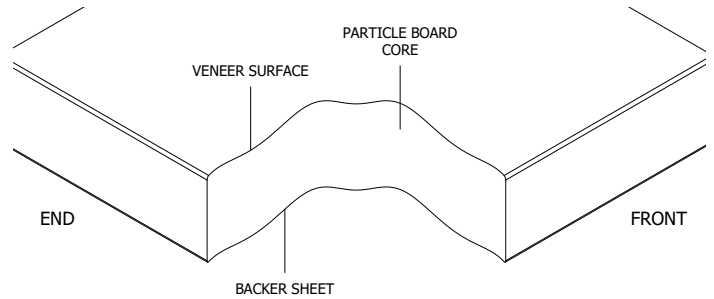
General Specifications

Rectangular Conference Tables

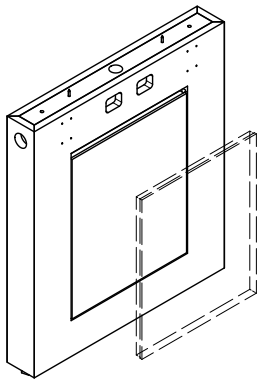
Edge Profiles



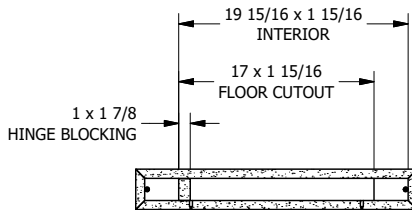
Top Construction



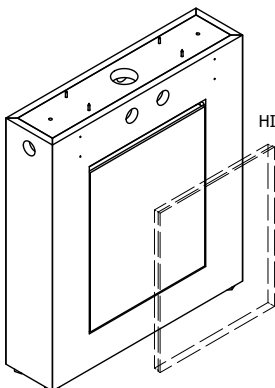
Bases, 24-1/2" and 30-1/2" Deep with Magnetic Door



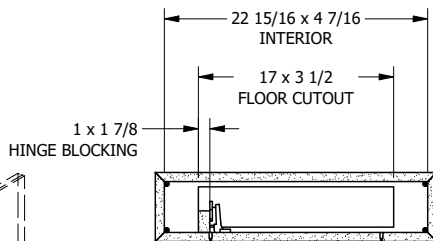
3-1/2"W BASE



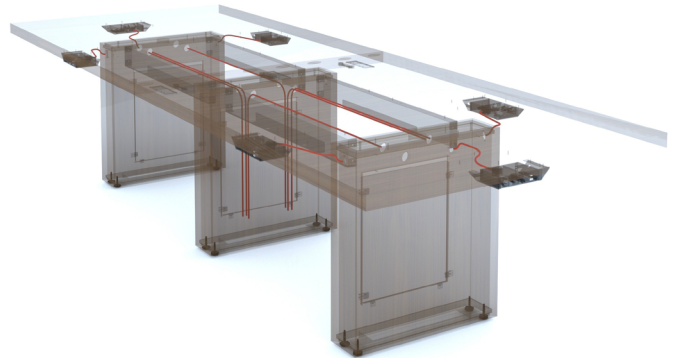
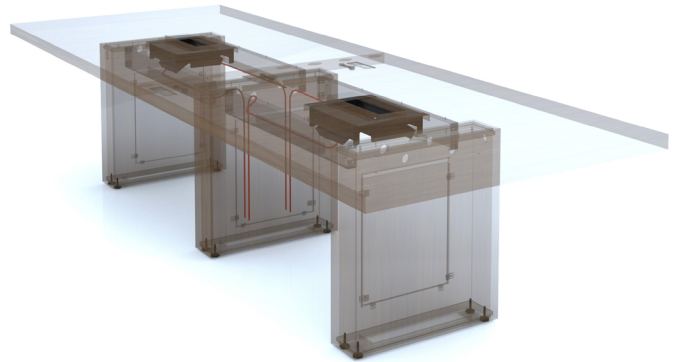
SECTION B-B
INTERIOR CLEARANCES



6"W BASE



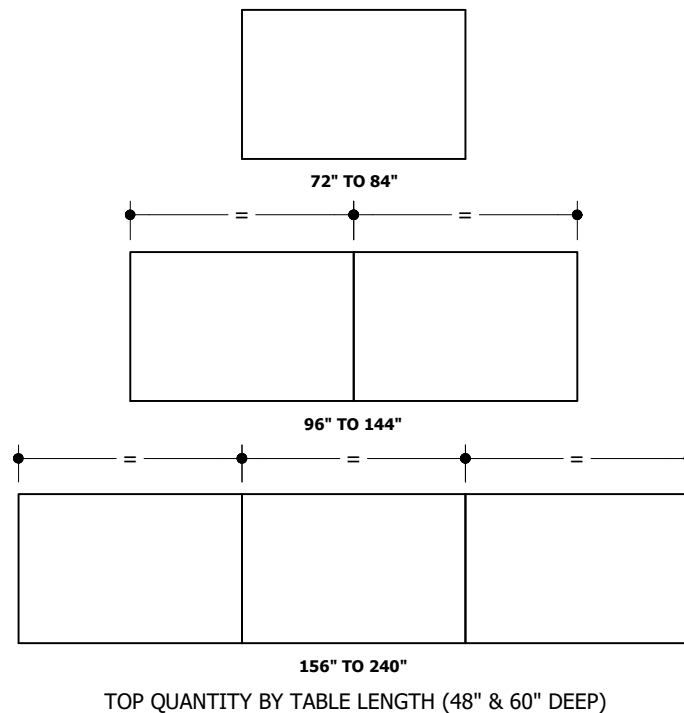
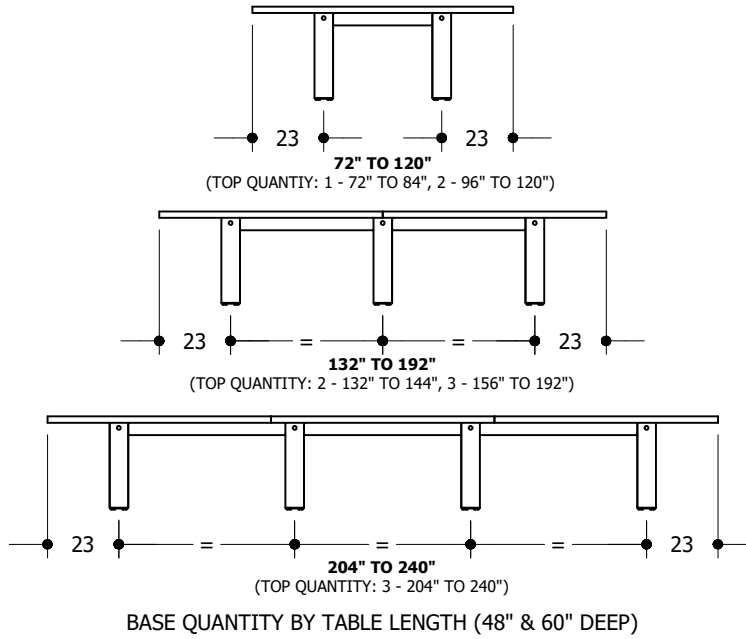
SECTION A-A
INTERIOR CLEARANCES



General Specifications

Rectangular Conference Tables

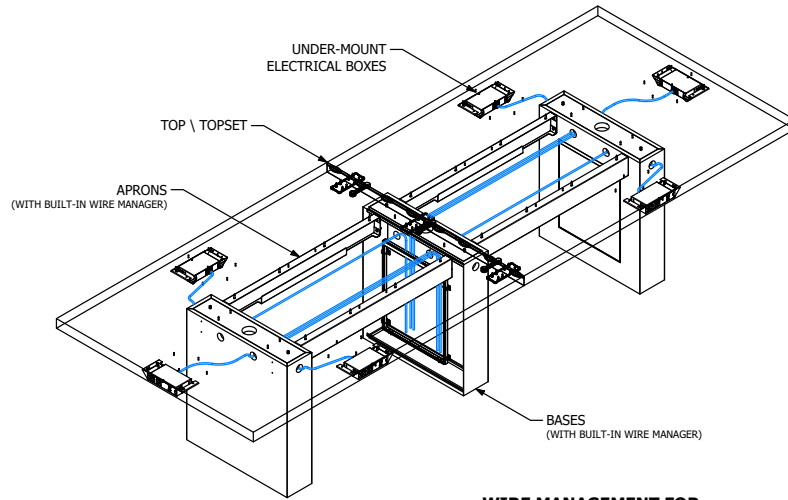
Table Construction



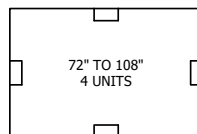
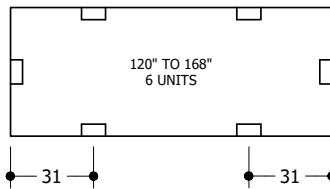
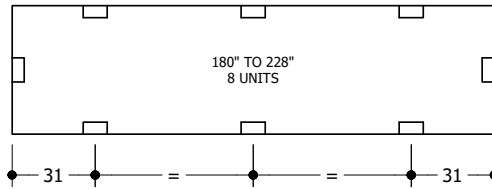
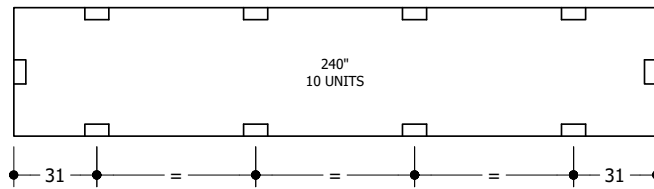
General Specifications

Rectangular Conference Tables

Table Construction



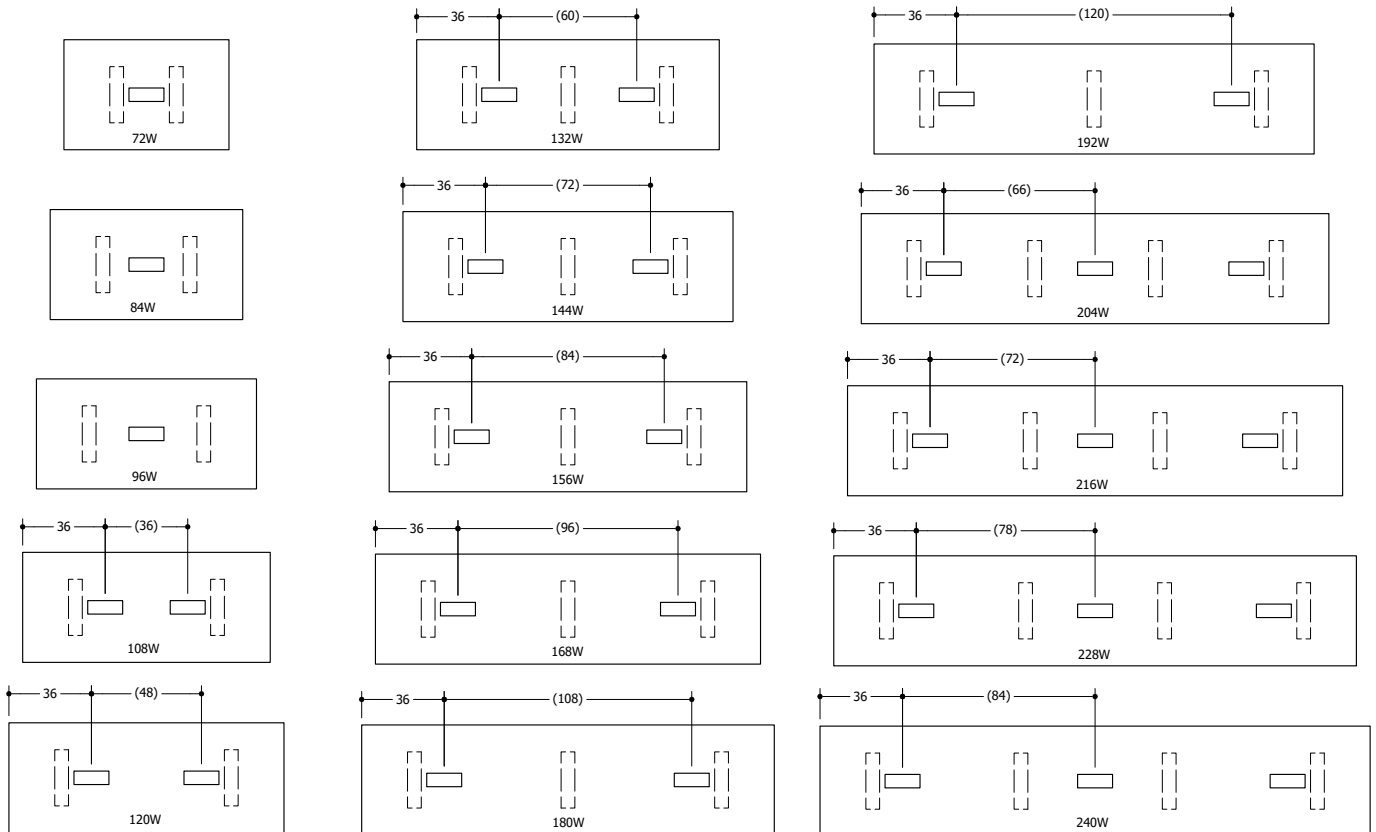
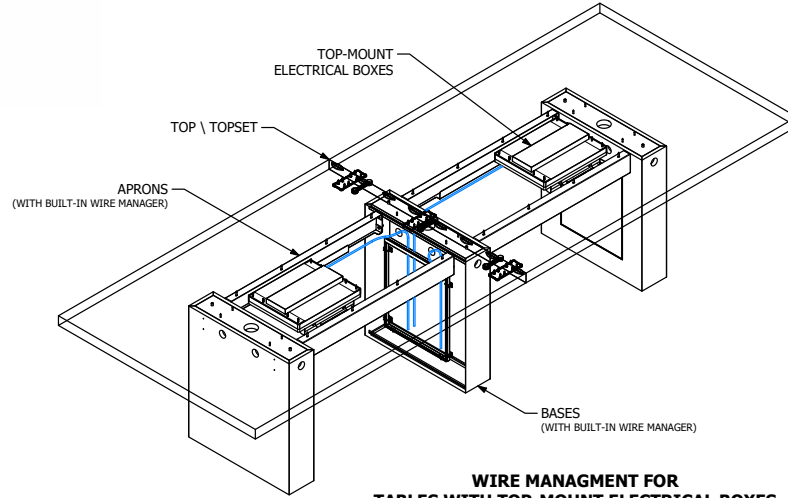
WIRE MANAGEMENT FOR TABLES WITH UNDER-MOUNT ELECTRICAL BOXES



General Specifications

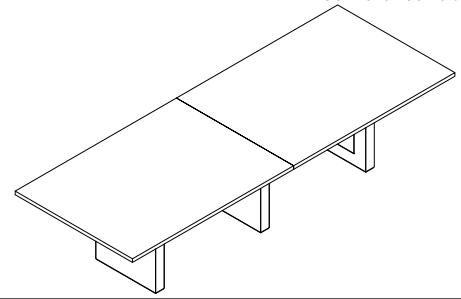
Rectangular Conference Tables

Table Construction



Rectangular Conference Tables

48" Deep Tops, 29 1/4" High
1 1/4" Thick Tops, 3 1/2" Wide Bases



Type	D	W	H	Pattern No	T1P	T2P	T1 Upcharge	T2 Upcharge
1 (72") tops, 2 (3 1/2") bases	48"	72"	29 1/4"	07R48X72V13	\$7,992	\$8,337	\$890	\$1,243
1 (84") tops, 2 (3 1/2") bases	48"	84"	29 1/4"	07R48X84V13	8,490	8,891	890	1,243
2 (48") tops, 2 (3 1/2") bases	48"	96"	29 1/4"	07R48X96V13	8,961	9,420	890	1,243
2 (54") tops, 2 (3 1/2") bases	48"	108"	29 1/4"	07R48X108V13	9,516	10,043	890	1,243
2 (60") tops, 2 (3 1/2") bases	48"	120"	29 1/4"	07R48X120V13	9,991	10,567	890	1,243
2 (66") tops, 3 (3 1/2") bases	48"	132"	29 1/4"	07R48X132V13	12,316	12,955	1,337	1,864
2 (72") tops, 3 (3 1/2") bases	48"	144"	29 1/4"	07R48X144V13	12,831	13,521	1,337	1,864
3 (52") tops, 3 (3 1/2") bases	48"	156"	29 1/4"	07R48X156V13	13,323	14,069	1,337	1,864
3 (56") tops, 3 (3 1/2") bases	48"	168"	29 1/4"	07R48X168V13	13,818	14,621	1,337	1,864
3 (60") tops, 3 (3 1/2") bases	48"	180"	29 1/4"	07R48X180V13	14,314	15,178	1,337	1,864
3 (64") tops, 3 (3 1/2") bases	48"	192"	29 1/4"	07R48X192V13	15,226	16,158	1,337	1,864
3 (68") tops, 4 (3 1/2") bases	48"	204"	29 1/4"	07R48X204V13	17,170	18,139	1,782	2,484
3 (72") tops, 4 (3 1/2") bases	48"	216"	29 1/4"	07R48X216V13	17,655	18,698	1,782	2,484
3 (76") tops, 4 (3 1/2") bases	48"	228"	29 1/4"	07R48X228V13	18,163	19,243	1,782	2,484
3 (80") tops, 4 (3 1/2") bases	48"	240"	29 1/4"	07R48X240V13	18,651	19,805	1,782	2,484

Order Code	Specification Information	Pricing Tiers
Example: 07R48X72V13	To order please specify pattern number including:	T1P = Tier 1 veneer top with painted base
07 JD Collection	1. Top finish: ()	T2P = Tier 2 veneer top with painted bases
R Rect. Conf. Table	2. Base finish: ()	T1 = Upcharge from T1P for Tier 1 veneer bases
48X Depth	3. Power and connectivity ():	T2 = Upcharge from T2P for Tier 2 veneer bases
72 Width	Power Options	
V Veneer	Code: Description:	
1 1 1/4" thick top	NP No Power	
3 3 1/2" wide base	PU Perimeter USB	
	UCO Undermount	
	T2C Tabletop 2-Sided Lid	

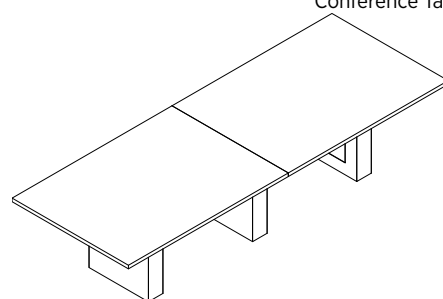
Application Notes

Tables ship knocked-down, assembly required.
 Tables come with structural metal aprons, finished in metallic black powder (MC12).
 Wire management handled vertically through bases and horizontally through aprons.
 Bases can fully or partially conceal a floor core, pending the application. This ability will vary based on type, size, location of the floor core.

Finish and grain matched on tables with multi-piece tops
 Undermount power units finished in metallic black powder (MC12).
 Tops pre-drilled for installation of undermount power.
 Undermount power unit comes with (x1) dual AC hardwire (HW) or plug in(PI) power module and (x2) single space blank plates.
 For additional connectivity please contact sales person.

Rectangular Conference Tables

48" Deep Tops, 29 1/4" High
1 1/4" Thick Tops, 6" Wide Bases



Type	D	W	H	Pattern No	T1P	T2P	T1 Upcharge	T2 Upcharge
1 (72") tops, 2 (6") bases	48"	72"	29 1/4"	07R48X72V16	\$8,110	\$8,466	\$890	\$1,243
1 (84") tops, 2 (6") bases	48"	84"	29 1/4"	07R48X84V16	8,620	9,022	890	1,243
2 (48") tops, 2 (6") bases	48"	96"	29 1/4"	07R48X96V16	9,115	9,573	890	1,243
2 (54") tops, 2 (6") bases	48"	108"	29 1/4"	07R48X108V16	9,613	10,133	890	1,243
2 (60") tops, 2 (6") bases	48"	120"	29 1/4"	07R48X120V16	10,119	10,686	890	1,243
2 (66") tops, 3 (6") bases	48"	132"	29 1/4"	07R48X132V16	12,521	13,170	1,337	1,864
2 (72") tops, 3 (6") bases	48"	144"	29 1/4"	07R48X144V16	13,017	13,707	1,337	1,864
3 (52") tops, 3 (6") bases	48"	156"	29 1/4"	07R48X156V16	13,527	14,272	1,337	1,864
3 (56") tops, 3 (6") bases	48"	168"	29 1/4"	07R48X168V16	14,018	14,839	1,337	1,864
3 (60") tops, 3 (6") bases	48"	180"	29 1/4"	07R48X180V16	14,524	15,380	1,337	1,864
3 (64") tops, 3 (6") bases	48"	192"	29 1/4"	07R48X192V16	15,423	16,357	1,337	1,864
3 (68") tops, 4 (6") bases	48"	204"	29 1/4"	07R48X204V16	17,433	18,403	1,782	2,484
3 (72") tops, 4 (6") bases	48"	216"	29 1/4"	07R48X216V16	17,915	18,962	1,782	2,484
3 (76") tops, 4 (6") bases	48"	228"	29 1/4"	07R48X228V16	18,426	19,519	1,782	2,484
3 (80") tops, 4 (6") bases	48"	240"	29 1/4"	07R48X240V16	18,923	20,083	1,782	2,484

Order Code	Specification Information	Pricing Tiers
Example: 07R48X72V16	To order please specify pattern number including:	T1P = Tier 1 veneer top with painted base
07 JD Collection	1. Top finish: ()	T2P = Tier 2 veneer top with painted bases
R Rect. Conf. Table	2. Base finish: ()	T1 = Upcharge from T1P for Tier 1 veneer bases
48X Depth	3. Power and connectivity ():	T2 = Upcharge from T2P for Tier 2 veneer bases
72 Width	Power Options	
V Veneer	Code: Description:	
1 1 1/4" thick top	NP No Power	
6 6" wide base	PU Perimeter USB	
	UCO Undermount	
	T2C Tabletop 2-Sided Lid	

Please refer to Materials and Finishes [page 7](#) for specification details. Please refer to Accessories [page 81](#) for specification details.

Application Notes

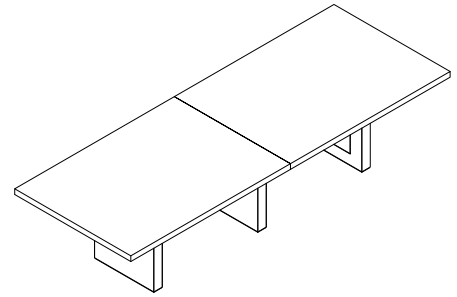
Tables ship knocked-down, assembly required.
 Tables come with structural metal aprons, finished in metallic black powder (MC12).
 Wire management handled vertically through bases and horizontally through aprons.
 Bases can fully or partially conceal a floor core, pending the application. This ability will vary based on type, size, location of the floor core.

Finish and grain matched on tables with multi-piece tops
 Undermount power units finished in metallic black powder (MC12).
 Tops pre-drilled for installation of undermount power.
 Undermount power unit comes with (x1) dual AC hardwire (HW) or plug in(PI) power module and (x2) single space blank plates.
 For additional connectivity please contact sales person.

Rectangular Conference Tables

48" Deep Tops, 29 1/4" High

2" Thick Tops, 3 1/2" Wide Bases



Type	D	W	H	Pattern No	T1P	T2P	T1 Upcharge	T2 Upcharge
1 (72") tops, 2 (3 1/2") bases	48"	72"	29 1/4"	07R48X72V23	\$8,284	\$8,629	\$890	\$1,243
1 (84") tops, 2 (3 1/2") bases	48"	84"	29 1/4"	07R48X84V23	8,825	9,230	890	1,243
2 (48") tops, 2 (3 1/2") bases	48"	96"	29 1/4"	07R48X96V23	9,355	9,815	890	1,243
2 (54") tops, 2 (3 1/2") bases	48"	108"	29 1/4"	07R48X108V23	9,959	10,485	890	1,243
2 (60") tops, 2 (3 1/2") bases	48"	120"	29 1/4"	07R48X120V23	10,470	11,050	890	1,243
2 (66") tops, 3 (3 1/2") bases	48"	132"	29 1/4"	07R48X132V23	12,862	13,503	1,337	1,864
2 (72") tops, 3 (3 1/2") bases	48"	144"	29 1/4"	07R48X144V23	13,406	14,111	1,337	1,864
3 (52") tops, 3 (3 1/2") bases	48"	156"	29 1/4"	07R48X156V23	13,960	14,716	1,337	1,864
3 (56") tops, 3 (3 1/2") bases	48"	168"	29 1/4"	07R48X168V23	14,513	15,307	1,337	1,864
3 (60") tops, 3 (3 1/2") bases	48"	180"	29 1/4"	07R48X180V23	15,074	15,916	1,337	1,864
3 (64") tops, 3 (3 1/2") bases	48"	192"	29 1/4"	07R48X192V23	16,017	16,944	1,337	1,864
3 (68") tops, 4 (3 1/2") bases	48"	204"	29 1/4"	07R48X204V23	18,002	18,988	1,782	2,484
3 (72") tops, 4 (3 1/2") bases	48"	216"	29 1/4"	07R48X216V23	18,548	19,263	1,782	2,484
3 (76") tops, 4 (3 1/2") bases	48"	228"	29 1/4"	07R48X228V23	19,102	19,867	1,782	2,484
3 (80") tops, 4 (3 1/2") bases	48"	240"	29 1/4"	07R48X240V23	19,650	20,463	1,782	2,484

Order Code	Specification Information	Pricing Tiers
Example: 07R48X72V23	To order please specify pattern number including:	T1P = Tier 1 veneer top with painted base
07 JD Collection	1. Top finish: ()	T2P = Tier 2 veneer top with painted bases
R Rect. Conf. Table	2. Base finish: ()	T1 = Upcharge from T1P for Tier 1 veneer bases
48X Depth	3. Power and connectivity ():	T2 = Upcharge from T2P for Tier 2 veneer bases
72 Width	Power Options	
V Veneer	Code: Description:	
2 2" thick top	NP No Power	
3 3 1/2" wide base	PU Perimeter USB	
	UCO Undermount	
	T2C Tabletop 2-Sided Lid	

Please refer to Materials and Finishes [page 7](#) for specification details. Please refer to Accessories [page 81](#) for specification details.

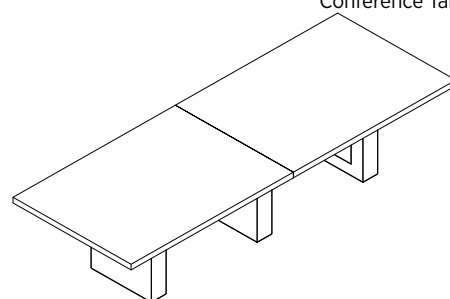
Application Notes

Tables ship knocked-down, assembly required.
 Tables come with structural metal aprons, finished in metallic black powder (MC12).
 Wire management handled vertically through bases and horizontally through aprons.
 Bases can fully or partially conceal a floor core, pending the application. This ability will vary based on type, size, location of the floor core.

Finish and grain matched on tables with multi-piece tops
 Undermount power units finished in metallic black powder (MC12).
 Tops pre-drilled for installation of undermount power.
 Undermount power unit comes with (x1) dual AC hardwire (HW) or plug in(PI) power module and (x2) single space blank plates.
 For additional connectivity please contact sales person.

Rectangular Conference Tables

**48" Deep Tops, 29 1/4" High
2" Thick Tops, 6" Wide Bases**



Type	D	W	H	Pattern No	T1P	T2P	T1 Upcharge	T2 Upcharge
1 (72") tops, 2 (6") bases	48"	72"	29 1/4"	07R48X72V26	\$8,408	\$8,753	\$890	\$1,243
1 (84") tops, 2 (6") bases	48"	84"	29 1/4"	07R48X84V26	8,958	9,372	890	1,243
2 (48") tops, 2 (6") bases	48"	96"	29 1/4"	07R48X96V26	9,515	9,978	890	1,243
2 (54") tops, 2 (6") bases	48"	108"	29 1/4"	07R48X108V26	10,063	10,569	890	1,243
2 (60") tops, 2 (6") bases	48"	120"	29 1/4"	07R48X120V26	10,612	11,179	890	1,243
2 (66") tops, 3 (6") bases	48"	132"	29 1/4"	07R48X132V26	13,062	13,696	1,337	1,864
2 (72") tops, 3 (6") bases	48"	144"	29 1/4"	07R48X144V26	13,622	14,299	1,337	1,864
3 (52") tops, 3 (6") bases	48"	156"	29 1/4"	07R48X156V26	14,155	14,913	1,337	1,864
3 (56") tops, 3 (6") bases	48"	168"	29 1/4"	07R48X168V26	14,709	15,518	1,337	1,864
3 (60") tops, 3 (6") bases	48"	180"	29 1/4"	07R48X180V26	15,259	16,117	1,337	1,864
3 (64") tops, 3 (6") bases	48"	192"	29 1/4"	07R48X192V26	17,434	17,149	1,337	1,864
3 (68") tops, 4 (6") bases	48"	204"	29 1/4"	07R48X204V26	18,274	19,236	1,782	2,484
3 (72") tops, 4 (6") bases	48"	216"	29 1/4"	07R48X216V26	18,821	19,854	1,782	2,484
3 (76") tops, 4 (6") bases	48"	228"	29 1/4"	07R48X228V26	19,366	20,442	1,782	2,484
3 (80") tops, 4 (6") bases	48"	240"	29 1/4"	07R48X240V26	19,918	21,064	1,782	2,484

Order Code	Specification Information	Pricing Tiers
Example: 07R48X72V26	To order please specify pattern number including:	T1P = Tier 1 veneer top with painted base
07 JD Collection	1. Top finish: ()	T2P = Tier 2 veneer top with painted bases
R Rect. Conf. Table	2. Base finish: ()	T1 = Upcharge from T1P for Tier 1 veneer bases
48X Depth	3. Power and connectivity ():	T2 = Upcharge from T2P for Tier 2 veneer bases
72 Width	Power Options	
V Veneer	Code: Description:	
2 2" thick top	NP No Power	
6 6" wide base	PU Perimeter USB	
	UCO Undermount	
	T2C Tabletop 2-Sided Lid	

Please refer to Materials and Finishes [page 7](#) for specification details. Please refer to Accessories [page 81](#) for specification details.

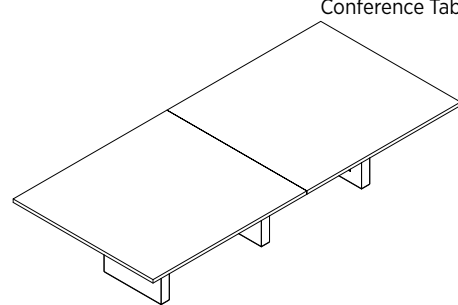
Application Notes

Tables ship knocked-down, assembly required.
Tables come with structural metal aprons, finished in metallic black powder (MC12).
Wire management handled vertically through bases and horizontally through aprons.
Bases can fully or partially conceal a floor core, pending the application. This ability will vary based on type, size, location of the floor core.

Finish and grain matched on tables with multi-piece tops
Undermount power units finished in metallic black powder (MC12).
Tops pre-drilled for installation of undermount power.
Undermount power unit comes with (x1) dual AC hardwire (HW) or plug in(PI) power module and (x2) single space blank plates.
For additional connectivity please contact sales person.

Rectangular Conference Tables

60" Deep Tops, 29 1/4" High
1 1/4" Thick Tops, 3 1/2" Wide Bases



Type	D	W	H	Pattern No	T1P	T2P	T1 Upcharge	T2 Upcharge
1 (72") tops, 2 (3 1/2") bases	60"	72"	29 1/4"	07R60X72V13	\$8,715	\$9,149	\$911	\$1,267
1 (84") tops, 2 (3 1/2") bases	60"	84"	29 1/4"	07R60X84V13	9,332	9,849	911	1,267
2 (48") tops, 2 (3 1/2") bases	60"	96"	29 1/4"	07R60X96V13	9,957	10,534	911	1,267
2 (54") tops, 2 (3 1/2") bases	60"	108"	29 1/4"	07R60X108V13	10,573	11,222	911	1,267
2 (60") tops, 2 (3 1/2") bases	60"	120"	29 1/4"	07R60X120V13	11,190	11,923	911	1,267
2 (66") tops, 3 (3 1/2") bases	60"	132"	29 1/4"	07R60X132V13	13,664	14,452	1,380	1,913
2 (72") tops, 3 (3 1/2") bases	60"	144"	29 1/4"	07R60X144V13	14,272	15,144	1,380	1,913
3 (52") tops, 3 (3 1/2") bases	60"	156"	29 1/4"	07R60X156V13	14,890	15,820	1,380	1,913
3 (56") tops, 3 (3 1/2") bases	60"	168"	29 1/4"	07R60X168V13	15,518	16,518	1,380	1,913
3 (60") tops, 3 (3 1/2") bases	60"	180"	29 1/4"	07R60X180V13	16,129	17,219	1,380	1,913
3 (64") tops, 3 (3 1/2") bases	60"	192"	29 1/4"	07R60X192V13	17,167	18,305	1,380	1,913
3 (68") tops, 4 (3 1/2") bases	60"	204"	29 1/4"	07R60X204V13	19,223	20,437	1,820	2,534
3 (72") tops, 4 (3 1/2") bases	60"	216"	29 1/4"	07R60X216V13	19,819	21,122	1,820	2,534
3 (76") tops, 4 (3 1/2") bases	60"	228"	29 1/4"	07R60X228V13	20,204	21,569	1,820	2,534
3 (80") tops, 4 (3 1/2") bases	60"	240"	29 1/4"	07R60X240V13	21,052	22,508	1,820	2,534

Order Code	Specification Information	Pricing Tiers
Example: 07R60X72V13	To order please specify pattern number including:	T1P = Tier 1 veneer top with painted base
07 JD Collection	1. Top finish: ()	T2P = Tier 2 veneer top with painted bases
R Rect. Conf. Table	2. Base finish: ()	T1 = Upcharge from T1P for Tier 1 veneer bases
60X Depth	3. Power and connectivity ():	T2 = Upcharge from T2P for Tier 2 veneer bases
72 Width	Power Options	
V Veneer	Code: Description:	
1 1 1/4" thick top	NP No Power	
3 3 1/2" wide base	PU Perimeter USB	
	UCO Undermount	
	T2C Tabletop 2-Sided Lid	

Please refer to Materials and Finishes [page 7](#) for specification details. Please refer to Accessories [page 81](#) for specification details.

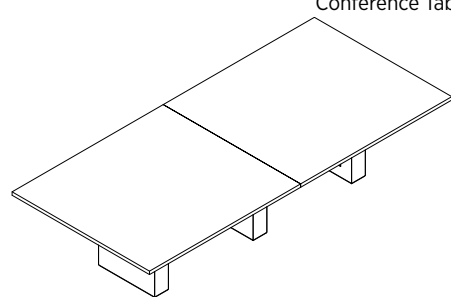
Application Notes

Tables ship knocked-down, assembly required.
 Tables come with structural metal aprons, finished in metallic black powder (MC12).
 Wire management handled vertically through bases and horizontally through aprons.
 Bases can fully or partially conceal a floor core, pending the application. This ability will vary based on type, size, location of the floor core.

Finish and grain matched on tables with multi-piece tops
 Undermount power units finished in metallic black powder (MC12).
 Tops pre-drilled for installation of undermount power.
 Undermount power unit comes with (x1) dual AC hardwire (HW) or plug in (PI) power module and (x2) single space blank plates.
 For additional connectivity please contact sales person.

Rectangular Conference Tables

60" Deep Tops, 29 1/4" High
1 1/4" Thick Tops, 6" Wide Bases



Type	D	W	H	Pattern No	T1P	T2P	T1 Upcharge	T2 Upcharge
1 (72") tops, 2 (6") bases	60"	72"	29 1/4"	07R60X72V16	\$8,784	\$9,211	\$911	\$1,267
1 (84") tops, 2 (6") bases	60"	84"	29 1/4"	07R60X84V16	9,390	9,900	911	1,267
2 (48") tops, 2 (6") bases	60"	96"	29 1/4"	07R60X96V16	10,007	10,585	911	1,267
2 (54") tops, 2 (6") bases	60"	108"	29 1/4"	07R60X108V16	10,634	11,284	911	1,267
2 (60") tops, 2 (6") bases	60"	120"	29 1/4"	07R60X120V16	11,257	11,975	911	1,267
2 (66") tops, 3 (6") bases	60"	132"	29 1/4"	07R60X132V16	13,745	14,523	1,380	1,913
2 (72") tops, 3 (6") bases	60"	144"	29 1/4"	07R60X144V16	14,360	15,231	1,380	1,913
3 (52") tops, 3 (6") bases	60"	156"	29 1/4"	07R60X156V16	14,985	15,907	1,380	1,913
3 (56") tops, 3 (6") bases	60"	168"	29 1/4"	07R60X168V16	15,591	16,590	1,380	1,913
3 (60") tops, 3 (6") bases	60"	180"	29 1/4"	07R60X180V16	16,220	17,289	1,380	1,913
3 (64") tops, 3 (6") bases	60"	192"	29 1/4"	07R60X192V16	17,242	18,394	1,380	1,913
3 (68") tops, 4 (6") bases	60"	204"	29 1/4"	07R60X204V16	19,317	20,531	1,820	2,534
3 (72") tops, 4 (6") bases	60"	216"	29 1/4"	07R60X216V16	19,945	21,220	1,820	2,534
3 (76") tops, 4 (6") bases	60"	228"	29 1/4"	07R60X228V16	20,329	21,696	1,820	2,534
3 (80") tops, 4 (6") bases	60"	240"	29 1/4"	07R60X240V16	21,182	22,610	1,820	2,534

Order Code	Specification Information	Pricing Tiers
Example: 07R60X72V16	To order please specify pattern number including:	T1P = Tier 1 veneer top with painted base
07 JD Collection	1. Top finish: ()	T2P = Tier 2 veneer top with painted bases
R Rect. Conf. Table	2. Base finish: ()	T1 = Upcharge from T1P for Tier 1 veneer bases
60X Depth	3. Power and connectivity ():	T2 = Upcharge from T2P for Tier 2 veneer bases
72 Width	Power Options	
V Veneer	Code: Description:	
1 1 1/4" thick top	NP No Power	
6 6" wide base	PU Perimeter USB	
	UCO Undermount	
	T2C Tabletop 2-Sided Lid	

Please refer to Materials and Finishes [page 7](#) for specification details. Please refer to Accessories [page 81](#) for specification details.

Application Notes

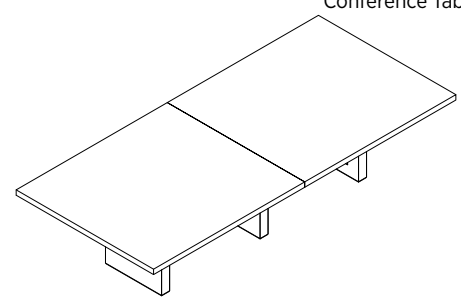
Tables ship knocked-down, assembly required.
 Tables come with structural metal aprons, finished in metallic black powder (MC12).
 Wire management handled vertically through bases and horizontally through aprons.
 Bases can fully or partially conceal a floor core, pending the application. This ability will vary based on type, size, location of the floor core.

Finish and grain matched on tables with multi-piece tops
 Undermount power units finished in metallic black powder (MC12).
 Tops pre-drilled for installation of undermount power.
 Undermount power unit comes with (x1) dual AC hardwire (HW) or plug in(PI) power module and (x2) single space blank plates.
 For additional connectivity please contact sales person.

Rectangular Conference Tables

60" Deep Tops, 29 1/4" High

2" Thick Tops, 3 1/2" Wide Bases



Type	D	W	H	Pattern No	T1P	T2P	T1 Upcharge	T2 Upcharge
1 (72") tops, 2 (3 1/2") bases	60"	72"	29 1/4"	07R60X72V23	\$9,095	\$9,527	\$911	\$1,267
1 (84") tops, 2 (3 1/2") bases	60"	84"	29 1/4"	07R60X84V23	9,765	10,266	911	1,267
2 (48") tops, 2 (3 1/2") bases	60"	96"	29 1/4"	07R60X96V23	10,444	11,036	911	1,267
2 (54") tops, 2 (3 1/2") bases	60"	108"	29 1/4"	07R60X108V23	11,136	11,776	911	1,267
2 (60") tops, 2 (3 1/2") bases	60"	120"	29 1/4"	07R60X120V23	11,816	12,524	911	1,267
2 (66") tops, 3 (3 1/2") bases	60"	132"	29 1/4"	07R60X132V23	14,340	15,123	1,380	1,913
2 (72") tops, 3 (3 1/2") bases	60"	144"	29 1/4"	07R60X144V23	15,017	15,888	1,380	1,913
3 (52") tops, 3 (3 1/2") bases	60"	156"	29 1/4"	07R60X156V23	15,682	16,640	1,380	1,913
3 (56") tops, 3 (3 1/2") bases	60"	168"	29 1/4"	07R60X168V23	16,362	17,371	1,380	1,913
3 (60") tops, 3 (3 1/2") bases	60"	180"	29 1/4"	07R60X180V23	17,050	18,151	1,380	1,913
3 (64") tops, 3 (3 1/2") bases	60"	192"	29 1/4"	07R60X192V23	18,132	19,308	1,380	1,913
3 (68") tops, 4 (3 1/2") bases	60"	204"	29 1/4"	07R60X204V23	20,248	21,483	1,820	2,534
3 (72") tops, 4 (3 1/2") bases	60"	216"	29 1/4"	07R60X216V23	20,921	22,220	1,820	2,534
3 (76") tops, 4 (3 1/2") bases	60"	228"	29 1/4"	07R60X228V23	21,388	22,741	1,820	2,534
3 (80") tops, 4 (3 1/2") bases	60"	240"	29 1/4"	07R60X240V23	22,300	23,734	1,820	2,534

Order Code	Specification Information	Pricing Tiers
Example: 07R60X72V23	To order please specify pattern number including:	T1P = Tier 1 veneer top with painted base
07 JD Collection	1. Top finish: ()	T2P = Tier 2 veneer top with painted bases
R Rect. Conf. Table	2. Base finish: ()	T1 = Upcharge from T1P for Tier 1 veneer bases
60X Depth	3. Power and connectivity ():	T2 = Upcharge from T2P for Tier 2 veneer bases
72 Width	Power Options	
V Veneer	Code: Description:	
2 2" thick top	NP No Power	
3 3 1/2" wide base	PU Perimeter USB	
	UCO Undermount	
	T2C Tabletop 2-Sided Lid	

Please refer to Materials and Finishes [page 7](#) for specification details. Please refer to Accessories [page 81](#) for specification details.

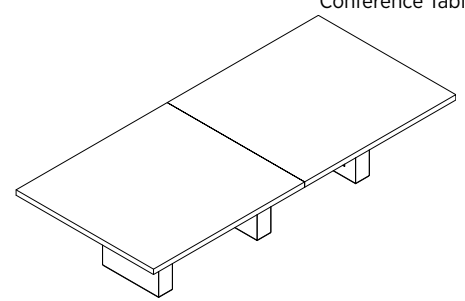
Application Notes

Tables ship knocked-down, assembly required.
 Tables come with structural metal aprons, finished in metallic black powder (MC12).
 Wire management handled vertically through bases and horizontally through aprons.
 Bases can fully or partially conceal a floor core, pending the application. This ability will vary based on type, size, location of the floor core.

Finish and grain matched on tables with multi-piece tops
 Undermount power units finished in metallic black powder (MC12).
 Tops pre-drilled for installation of undermount power.
 Undermount power unit comes with (x1) dual AC hardwire (HW) or plug in (PI) power module and (x2) single space blank plates.
 For additional connectivity please contact sales person.

Rectangular Conference Tables

60" Deep Tops, 29 1/4" High
2" Thick Tops, 6" Wide Bases



Type	D	W	H	Pattern No	T1P	T2P	T1 Upcharge	T2 Upcharge
1 (72") tops, 2 (6") bases	60"	72"	29 1/4"	07R60X72V26	\$9,227	\$9,648	\$911	\$1,267
1 (84") tops, 2 (6") bases	60"	84"	29 1/4"	07R60X84V26	9,908	10,404	911	1,267
2 (48") tops, 2 (6") bases	60"	96"	29 1/4"	07R60X96V26	10,587	11,159	911	1,267
2 (54") tops, 2 (6") bases	60"	108"	29 1/4"	07R60X108V26	11,272	11,907	911	1,267
2 (60") tops, 2 (6") bases	60"	120"	29 1/4"	07R60X120V26	11,952	12,665	911	1,267
2 (66") tops, 3 (6") bases	60"	132"	29 1/4"	07R60X132V26	14,524	15,331	1,380	1,913
2 (72") tops, 3 (6") bases	60"	144"	29 1/4"	07R60X144V26	15,210	16,072	1,380	1,913
3 (52") tops, 3 (6") bases	60"	156"	29 1/4"	07R60X156V26	15,897	16,836	1,380	1,913
3 (56") tops, 3 (6") bases	60"	168"	29 1/4"	07R60X168V26	16,577	17,564	1,380	1,913
3 (60") tops, 3 (6") bases	60"	180"	29 1/4"	07R60X180V26	17,266	18,341	1,380	1,913
3 (64") tops, 3 (6") bases	60"	192"	29 1/4"	07R60X192V26	18,337	19,480	1,380	1,913
3 (68") tops, 4 (6") bases	60"	204"	29 1/4"	07R60X204V26	20,520	21,761	1,820	2,534
3 (72") tops, 4 (6") bases	60"	216"	29 1/4"	07R60X216V26	21,192	22,490	1,820	2,534
3 (76") tops, 4 (6") bases	60"	228"	29 1/4"	07R60X228V26	21,890	23,257	1,820	2,534
3 (80") tops, 4 (6") bases	60"	240"	29 1/4"	07R60X240V26	22,571	23,991	1,820	2,534

Order Code	Specification Information	Pricing Tiers
Example: 07R60X72V26	To order please specify pattern number including:	T1P = Tier 1 veneer top with painted base
07 JD Collection	1. Top finish: ()	T2P = Tier 2 veneer top with painted bases
R Rect. Conf. Table	2. Base finish: ()	T1 = Upcharge from T1P for Tier 1 veneer bases
60X Depth	3. Power and connectivity ():	T2 = Upcharge from T2P for Tier 2 veneer bases
72 Width	Power Options	
V Veneer	Code: Description:	
2 2" thick top	NP No Power	
6 6" wide base	PU Perimeter USB	
	UCO Undermount	
	T2C Tabletop 2-Sided Lid	

Please refer to Materials and Finishes [page 7](#) for specification details. Please refer to Accessories [page 81](#) for specification details.

Application Notes

Tables ship knocked-down, assembly required.
 Tables come with structural metal aprons, finished in metallic black powder (MC12).
 Wire management handled vertically through bases and horizontally through aprons.
 Bases can fully or partially conceal a floor core, pending the application. This ability will vary based on type, size, location of the floor core.

Finish and grain matched on tables with multi-piece tops
 Undermount power units finished in metallic black powder (MC12).
 Tops pre-drilled for installation of undermount power.
 Undermount power unit comes with (x1) dual AC hardwire (HW) or plug in(PI) power module and (x2) single space blank plates.
 For additional connectivity please contact sales person.

JD Collection Media Tables

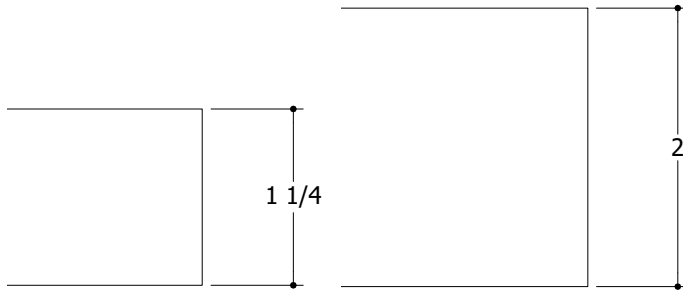


DATESWEISER

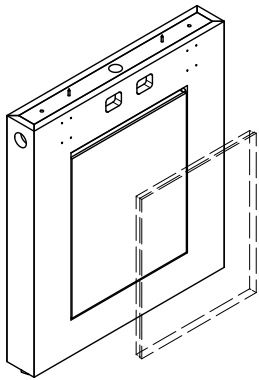
General Specifications

Media Tables

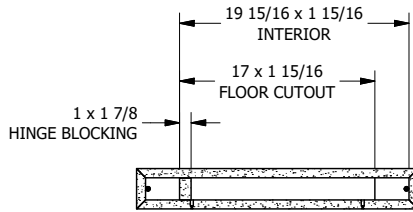
Edge Profiles



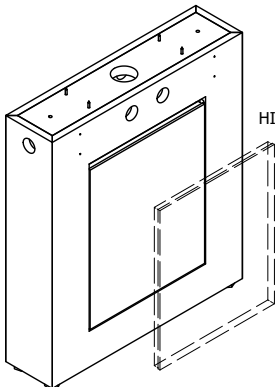
Bases, 24-1/2" and 30-1/2" Deep with Magnetic Door



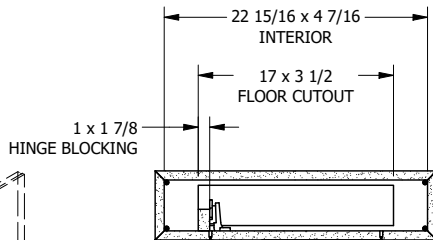
3-1/2"W BASE



SECTION B-B
INTERIOR CLEARANCES



6"W BASE



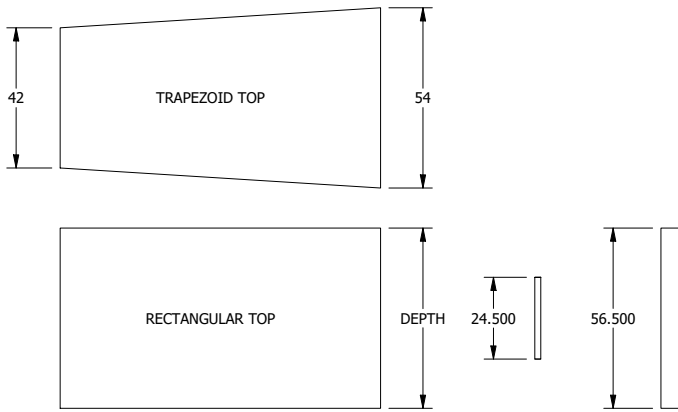
SECTION A-A
INTERIOR CLEARANCES



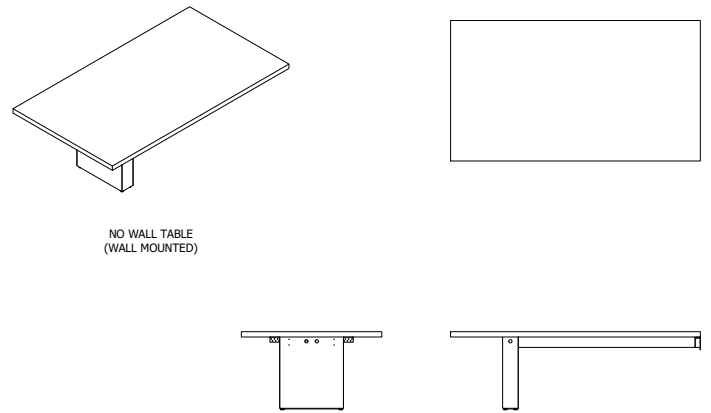
General Specifications

Media Tables

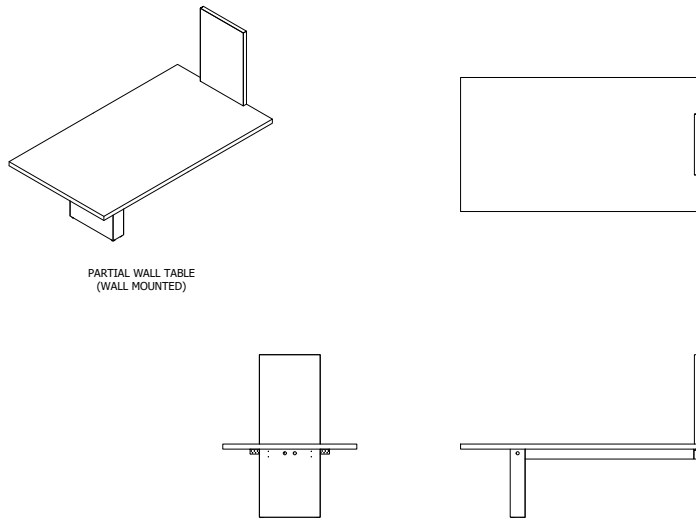
Table Construction



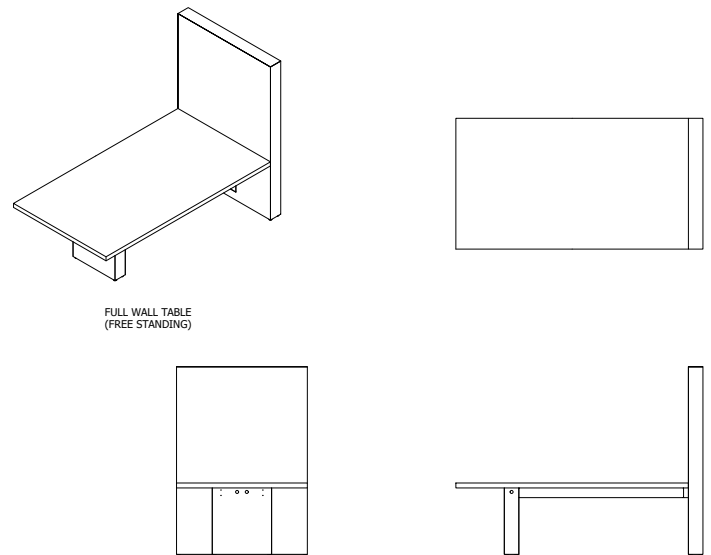
Wall Mounted Table Construction (no Media Wall)



Partial Media Wall Table Construction



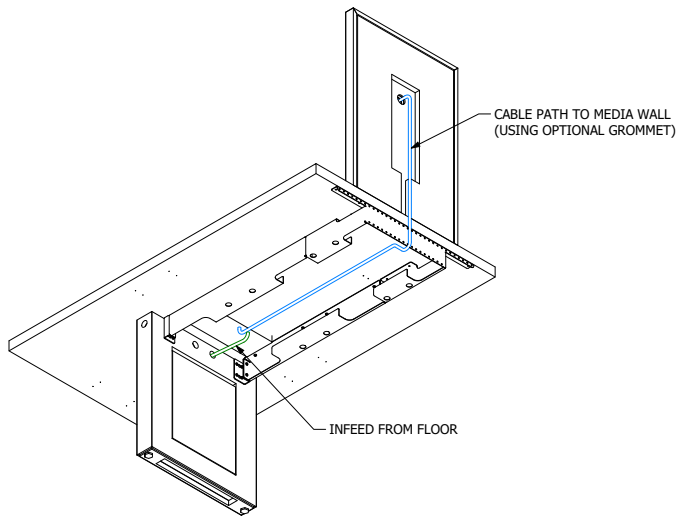
Full Media Wall Table Construction



General Specifications

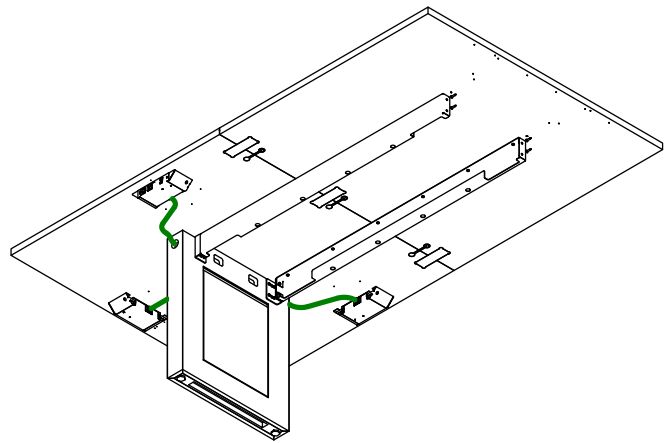
Media Tables

Partial Wall Cable Planning



CABLING DIAGRAM:
WALL-MOUNTED TABLE AND PARTIAL MEDIA WALL
WITH TABLETOP POWER OPTION

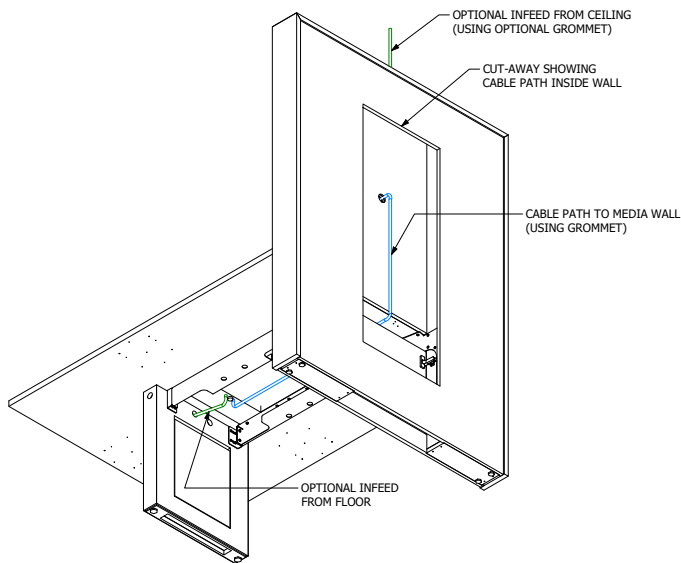
Under-mount Power Option



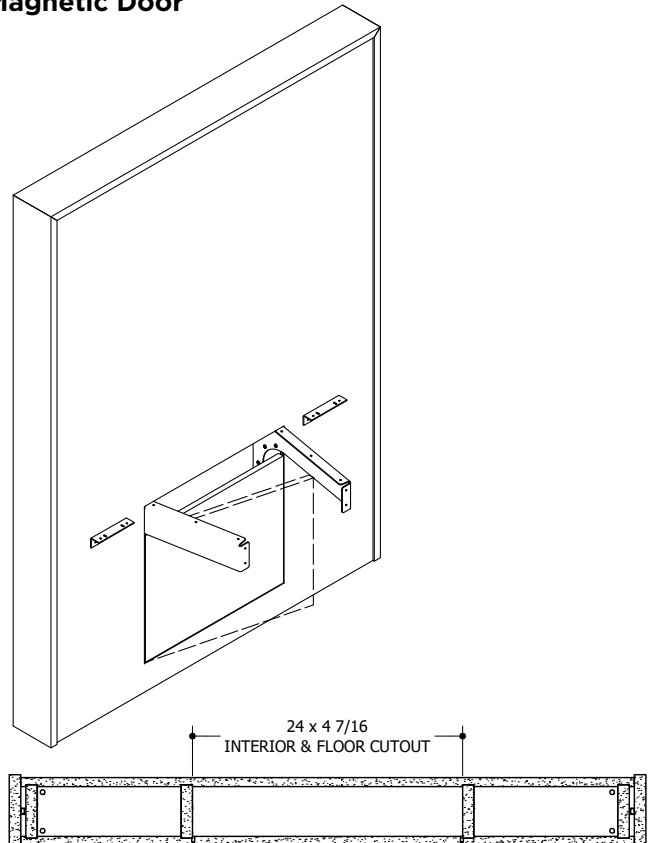
CABLING DIAGRAM:
UNDER-MOUNT POWER OPTION

Full-Height Media Wall, 59-9/16" Deep with Magnetic Door

Full Wall Cable Planning



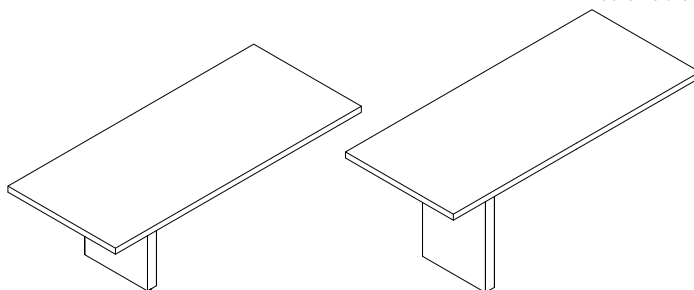
CABLING DIAGRAM:
FREE-STANDING TABLE AND FULL MEDIA WALL
WITH TABLETOP POWER OPTION



Rectangular Media Tables

42" Deep Tops

1 1/4" Thick Top, 3 1/2" Wide Bases



Type	D	W	H	Pattern No.	TP1	TP2	T1 Upcharge	T2 Upcharge
1 (60") top, 1 (3 1/2") Base	42"	60"	29 1/4"	07MR42X60V1330	\$5,931	\$6,215	\$448	\$628
1 (72") top, 1 (3 1/2") Base	42"	72"	29 1/4"	07MR42X72V1330	6,026	6,317	448	628
1 (84") top, 1 (3 1/2") Base	42"	84"	29 1/4"	07MR42X84V1330	6,047	6,339	448	628
2 (48") tops, 1 (3 1/2") Base	42"	96"	29 1/4"	07MR42X96V1330	6,143	6,443	448	628
1 (60") top, 1 (3 1/2") Base	42"	60"	40 1/2"	07MR42X60V1342	6,386	6,704	448	628
1 (72") top, 1 (3 1/2") Base	42"	72"	40 1/2"	07MR42X72V1342	6,479	6,807	448	628
1 (84") top, 1 (3 1/2") Base	42"	84"	40 1/2"	07MR42X84V1342	6,510	6,839	448	628
2 (48") tops, 1 (3 1/2") Base	42"	96"	40 1/2"	07MR42X96V1342	6,607	6,944	448	628

Order Code	Specification Information	Pricing Tiers
Example: 07MR42X60V1330	To order please specify pattern number including:	T1P = Tier 1 veneer top with painted base
07 JD Collection	1. Top finish: ()	T2P = Tier 2 veneer top with painted bases
MR Media Table Rectangular	2. Base finish: ()	T1 = Upcharge from T1P for Tier 1 veneer bases
42X Depth	3. Power and connectivity ():	T2 = Upcharge from T2P for Tier 2 veneer bases
60 Width	Power Options	
V Veneer	Code: Description:	
1 1 1/4" thick top	NP No Power	
3 3 1/2" wide base	PU Perimeter USB	
30 Height	UCO Undermount	
	T2C Tabletop 2-Sided Lid	

Please refer to Materials and Finishes [page 7](#) for specification details. Please refer to Accessories [page 81](#) for specification details.

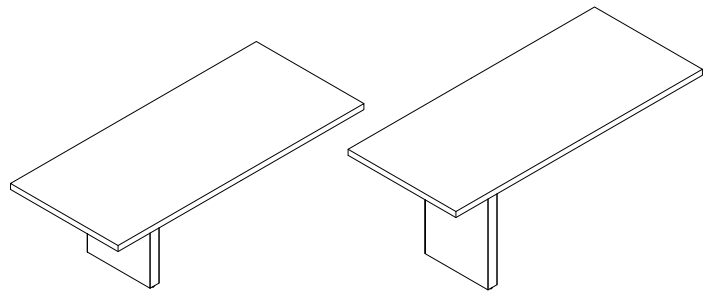
Application Notes

Tables comes with only one base.
 Under-mount and slide-out power is always Black.
 Tables ship knocked-down, assembly required.
 Tables come with structural metal aprons, finished in metallic black powder (MC12).
 Wire management handled vertically through bases and horizontally through aprons.
 Bases can fully or partially conceal a floor core, pending the application. This ability will vary based on type, size, location of the floor core.

Finish and grain matched on tables with multi-piece tops
 Undermount power units finished in metallic black powder (MC12).
 Tops pre-drilled for installation of undermount power.
 Undermount power unit comes with (x1) dual AC hardwire (HW) or plug in(PI) power module and (x2) single space blank plates. For additional connectivity please contact sales person.
 Top-mount power is available in 5 finishes:
 Black = ECB
 White = ECGW
 Silver = ECS
 Brushed Aluminum = ECAL
 Stainless Steel = ECSS.

Rectangular Media Tables

42" Deep Tops
2" Thick Top, 3 1/2" Wide Bases



Type	D	W	H	Pattern No.	TP1	TP2	T1 Upcharge	T2 Upcharge
1 (60") top, 1 (3 1/2") Base	42"	60"	29 1/4"	07MR42X60V2330	\$6,080	\$6,375	\$448	\$628
1 (72") top, 1 (3 1/2") Base	42"	72"	29 1/4"	07MR42X72V2330	6,491	6,818	448	628
1 (84") top, 1 (3 1/2") Base	42"	84"	29 1/4"	07MR42X84V2330	6,198	6,502	448	628
2 (48") tops, 1 (3 1/2") Base	42"	96"	29 1/4"	07MR42X96V2330	6,618	6,956	448	628
1 (60") top, 1 (3 1/2") Base	42"	60"	40 1/2"	07MR42X60V2342	6,804	7,157	448	628
1 (72") top, 1 (3 1/2") Base	42"	72"	40 1/2"	07MR42X72V2342	6,946	7,310	448	628
1 (84") top, 1 (3 1/2") Base	42"	84"	40 1/2"	07MR42X84V2342	6,936	7,300	448	628
2 (48") tops, 1 (3 1/2") Base	42"	96"	40 1/2"	07MR42X96V2342	7,082	7,457	448	628

Order Code	Specification Information	Pricing Tiers
Example: 07MR42X60V2330	To order please specify pattern number including: 1. Top finish: () 2. Base finish: () 3. Power and connectivity ():	T1P = Tier 1 veneer top with painted base T2P = Tier 2 veneer top with painted bases T1 = Upcharge from T1P for Tier 1 veneer bases T2 = Upcharge from T2P for Tier 2 veneer bases
07 JD Collection	Power Options	Please refer to Materials and Finishes page 7 for specification details. Please refer to Accessories page 81 for specification details.
MR Media Table Rectangular	Code: Description:	
42X Depth	NP No Power	
60 Width	PU Perimeter USB	
V Veneer	UCO Undermount	
2 2" thick top	T2C Tabletop 2-Sided Lid	
3 3 1/2" wide base		
30 Height		

Application Notes

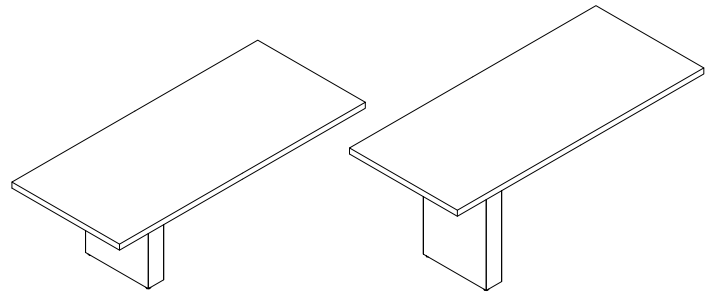
Tables comes with only one base.
 Under-mount and slide-out power is always Black.
 Tables ship knocked-down, assembly required.
 Tables come with structural metal aprons, finished in metallic black powder (MC12).
 Wire management handled vertically through bases and horizontally through aprons.
 Bases can fully or partially conceal a floor core, pending the application. This ability will vary based on type, size, location of the floor core.

Finish and grain matched on tables with multi-piece tops
 Undermount power units finished in metallic black powder (MC12).
 Tops pre-drilled for installation of undermount power.
 Undermount power unit comes with (x1) dual AC hardwire (HW) or plug in(PI) power module and (x2) single space blank plates. For additional connectivity please contact sales person.
 Top-mount power is available in 5 finishes:
 Black = ECB
 White = ECGW
 Silver = ECS
 Brushed Aluminum = ECAL
 Stainless Steel = ECSS.

Rectangular Media Tables

42" Deep Tops

1 1/4" Thick Top, 6" Wide Bases



Type	D	W	H	Pattern No.	TP1	TP2	T1 Upcharge	T2 Upcharge
1 (60") top, 1 (6") Base	42"	60"	29 1/4"	07MR42X60V1630	\$6,840	\$7,196	\$448	\$628
1 (72") top, 1 (6") Base	42"	72"	29 1/4"	07MR42X72V1630	6,943	7,307	448	628
1 (84") top, 1 (6") Base	42"	84"	29 1/4"	07MR42X84V1630	6,975	7,340	448	628
2 (48") tops, 1 (6") Base	42"	96"	29 1/4"	07MR42X96V1630	7,078	7,453	448	628
1 (60") top, 1 (6") Base	42"	60"	40 1/2"	07MR42X60V1642	7,295	7,686	448	628
1 (72") top, 1 (6") Base	42"	72"	40 1/2"	07MR42X72V1642	7,394	7,794	448	628
1 (84") top, 1 (6") Base	42"	84"	40 1/2"	07MR42X84V1642	7,437	7,841	448	628
2 (48") tops, 1 (6") Base	42"	96"	40 1/2"	07MR42X96V1642	7,539	7,950	448	628

Order Code	Specification Information	Pricing Tiers
Example: 07MR42X60V1630	To order please specify pattern number including: 1. Top finish: () 2. Base finish: () 3. Power and connectivity ():	T1P = Tier 1 veneer top with painted base T2P = Tier 2 veneer top with painted bases T1 = Upcharge from T1P for Tier 1 veneer bases T2 = Upcharge from T2P for Tier 2 veneer bases
07 JD Collection	Power Options	Please refer to Materials and Finishes page 7 for specification details. Please refer to Accessories page 81 for specification details.
MR Media Table Rectangular	Code: Description:	
42X Depth	NP No Power	
60 Width	PU Perimeter USB	
V Veneer	UCO Undermount	
1 1 1/4" thick top	T2C Tabletop 2-Sided Lid	
6 6" wide base		
30 Height		

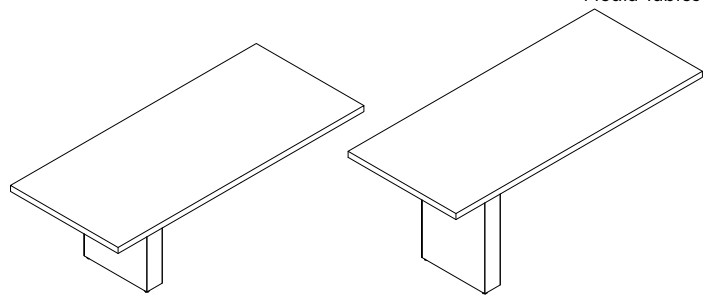
Application Notes

Tables comes with only one base.
Under-mount and slide-out power is always Black.
Tables ship knocked-down, assembly required.
Tables come with structural metal aprons, finished in metallic black powder (MC12).
Wire management handled vertically through bases and horizontally through aprons.
Bases can fully or partially conceal a floor core, pending the application. This ability will vary based on type, size, location of the floor core.

Finish and grain matched on tables with multi-piece tops
Undermount power units finished in metallic black powder (MC12).
Tops pre-drilled for installation of undermount power.
Undermount power unit comes with (x1) dual AC hardwire (HW) or plug in(PI) power module and (x2) single space blank plates. For additional connectivity please contact sales person.
Top-mount power is available in 5 finishes:
Black = ECB
White = ECGW
Silver = ECS
Brushed Aluminum = ECAL
Stainless Steel = ECSS.

Rectangular Media Tables

42" Deep Tops
2" Thick Top, 6" Wide Bases



Type	D	W	H	Pattern No.	TP1	TP2	T1 Upcharge	T2 Upcharge
1 (60") top, 1 (6") Base	42"	60"	29 ¼"	07MR42X60V2630	\$7,265	\$7,656	\$448	\$628
1 (72") top, 1 (6") Base	42"	72"	29 ¼"	07MR42X72V2630	7,401	7,800	448	628
1 (84") top, 1 (6") Base	42"	84"	29 ¼"	07MR42X84V2630	7,407	7,809	448	628
2 (48") tops, 1 (6") Base	42"	96"	29 ¼"	07MR42X96V2630	7,546	7,957	448	628
1 (60") top, 1 (6") Base	42"	60"	40 ½"	07MR42X60V2642	7,721	8,146	448	628
1 (72") top, 1 (6") Base	42"	72"	40 ½"	07MR42X72V2642	7,853	8,291	448	628
1 (84") top, 1 (6") Base	42"	84"	40 ½"	07MR42X84V2642	7,872	8,310	448	628
2 (48") tops, 1 (6") Base	42"	96"	40 ½"	07MR42X96V2642	8,009	8,457	448	628

Order Code	Specification Information	Pricing Tiers
Example: 07MR42X60V2630	To order please specify pattern number including: 1. Top finish: () 2. Base finish: () 3. Power and connectivity ():	T1P = Tier 1 veneer top with painted base T2P = Tier 2 veneer top with painted bases T1 = Upcharge from T1P for Tier 1 veneer bases T2 = Upcharge from T2P for Tier 2 veneer bases
07 JD Collection	Power Options	Please refer to Materials and Finishes page 7 for specification details. Please refer to Accessories page 81 for specification details.
MR Media Table Rectangular	Code: Description:	
42X Depth	NP No Power	
60 Width	PU Perimeter USB	
V Veneer	UCO Undermount	
2 2" thick top	T2C Tabletop 2-Sided Lid	
6 6" wide base		
30 Height		

Application Notes

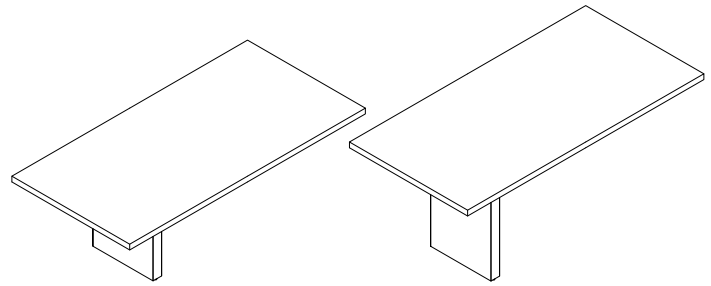
Tables comes with only one base.
 Under-mount and slide-out power is always Black.
 Tables ship knocked-down, assembly required.
 Tables come with structural metal aprons, finished in metallic black powder (MC12).
 Wire management handled vertically through bases and horizontally through aprons.
 Bases can fully or partially conceal a floor core, pending the application. This ability will vary based on type, size, location of the floor core.

Finish and grain matched on tables with multi-piece tops
 Undermount power units finished in metallic black powder (MC12).
 Tops pre-drilled for installation of undermount power.
 Undermount power unit comes with (x1) dual AC hardwire (HW) or plug in(PI) power module and (x2) single space blank plates. For additional connectivity please contact sales person.
 Top-mount power is available in 5 finishes:
 Black = ECB
 White = ECGW
 Silver = ECS
 Brushed Aluminum = ECAL
 Stainless Steel = ECSS.

Rectangular Media Tables

48" Deep Tops

1 1/4" Thick Top, 3 1/2" Wide Bases



Type	D	W	H	Pattern No.	TP1	TP2	T1 Upcharge	T2 Upcharge
1 (60") top, 1 (3 1/2") Base	48"	60"	29 1/4"	07MR48X60V1330	\$6,244	\$6,551	\$448	\$628
1 (72") top, 1 (3 1/2") Base	48"	72"	29 1/4"	07MR48X72V1330	6,347	6,664	448	628
1 (84") top, 1 (3 1/2") Base	48"	84"	29 1/4"	07MR48X84V1330	6,366	6,684	448	628
2 (48") tops, 1 (3 1/2") Base	48"	96"	29 1/4"	07MR48X96V1330	6,471	6,797	448	628
1 (60") top, 1 (3 1/2") Base	48"	60"	40 1/2"	07MR48X60V1342	6,768	7,117	448	628
1 (72") top, 1 (3 1/2") Base	48"	72"	40 1/2"	07MR48X72V1342	6,862	7,218	448	628
1 (84") top, 1 (3 1/2") Base	48"	84"	40 1/2"	07MR48X84V1342	6,899	7,260	448	628
2 (48") tops, 1 (3 1/2") Base	48"	96"	40 1/2"	07MR48X96V1342	6,995	7,363	448	628

Order Code	Specification Information	Pricing Tiers
Example: 07MR48X60V1330	To order please specify pattern number including: 1. Top finish: () 2. Base finish: () 3. Power and connectivity ():	T1P = Tier 1 veneer top with painted base T2P = Tier 2 veneer top with painted bases T1 = Upcharge from T1P for Tier 1 veneer bases T2 = Upcharge from T2P for Tier 2 veneer bases
07 JD Collection	Power Options	Please refer to Materials and Finishes page 7 for specification details. Please refer to Accessories page 81 for specification details.
MR Media Table Rectangular	Code: Description:	
48X Depth	NP No Power	
60 Width	PU Perimeter USB	
V Veneer	UCO Undermount	
1 1 1/4" thick top	T2C Tabletop 2-Sided Lid	
3 3 1/2" wide base		
30 Height		

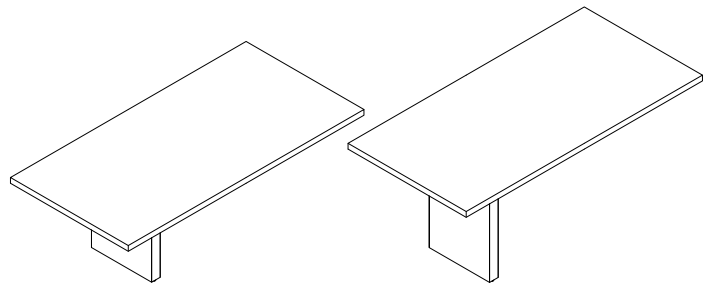
Application Notes

Tables comes with only one base.
Under-mount and slide-out power is always Black.
Tables ship knocked-down, assembly required.
Tables come with structural metal aprons, finished in metallic black powder (MC12).
Wire management handled vertically through bases and horizontally through aprons.
Bases can fully or partially conceal a floor core, pending the application. This ability will vary based on type, size, location of the floor core.

Finish and grain matched on tables with multi-piece tops
Undermount power units finished in metallic black powder (MC12).
Tops pre-drilled for installation of undermount power.
Undermount power unit comes with (x1) dual AC hardwire (HW) or plug in(PI) power module and (x2) single space blank plates. For additional connectivity please contact sales person.
Top-mount power is available in 5 finishes:
Black = ECB
White = ECGW
Silver = ECS
Brushed Aluminum = ECAL
Stainless Steel = ECSS.

Rectangular Media Tables

48" Deep Tops
2" Thick Top, 3 1/2" Wide Bases



Type	D	W	H	Pattern No.	TP1	TP2	T1 Upcharge	T2 Upcharge
1 (60") top, 1 (3 1/2") Base	48"	60"	29 1/4"	07MR48X60V2330	\$6,674	\$7,016	\$448	\$628
1 (72") top, 1 (3 1/2") Base	48"	72"	29 1/4"	07MR48X72V2330	6,813	7,165	448	628
1 (84") top, 1 (3 1/2") Base	48"	84"	29 1/4"	07MR48X84V2330	6,805	7,158	448	628
2 (48") tops, 1 (3 1/2") Base	48"	96"	29 1/4"	07MR48X96V2330	6,945	7,309	448	628
1 (60") top, 1 (3 1/2") Base	48"	60"	40 1/2"	07MR48X60V2342	7,190	7,574	448	628
1 (72") top, 1 (3 1/2") Base	48"	72"	40 1/2"	07MR48X72V2342	7,331	7,727	448	628
1 (84") top, 1 (3 1/2") Base	48"	84"	40 1/2"	07MR48X84V2342	7,330	7,724	448	628
2 (48") tops, 1 (3 1/2") Base	48"	96"	40 1/2"	07MR48X96V2342	7,475	7,881	448	628

Order Code	Specification Information	Pricing Tiers
Example: 07MR48X60V2330	To order please specify pattern number including: 1. Top finish: () 2. Base finish: () 3. Power and connectivity ():	T1P = Tier 1 veneer top with painted base T2P = Tier 2 veneer top with painted bases T1 = Upcharge from T1P for Tier 1 veneer bases T2 = Upcharge from T2P for Tier 2 veneer bases
07 JD Collection	Power Options	Please refer to Materials and Finishes page 7 for specification details. Please refer to Accessories page 81 for specification details.
MR Media Table Rectangular	Code: Description:	
48X Depth	NP No Power	
60 Width	PU Perimeter USB	
V Veneer	UCO Undermount	
2 2" thick top	T2C Tabletop 2-Sided Lid	
3 3 1/2" wide base		
30 Height		

Application Notes

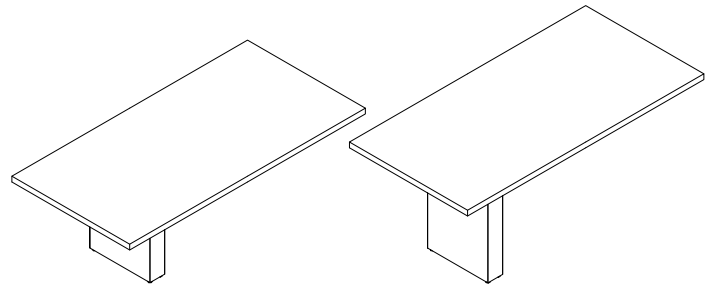
Tables comes with only one base.
 Under-mount and slide-out power is always Black.
 Tables ship knocked-down, assembly required.
 Tables come with structural metal aprons, finished in metallic black powder (MC12).
 Wire management handled vertically through bases and horizontally through aprons.
 Bases can fully or partially conceal a floor core, pending the application. This ability will vary based on type, size, location of the floor core.

Finish and grain matched on tables with multi-piece tops
 Undermount power units finished in metallic black powder (MC12).
 Tops pre-drilled for installation of undermount power.
 Undermount power unit comes with (x1) dual AC hardwire (HW) or plug in(PI) power module and (x2) single space blank plates. For additional connectivity please contact sales person.
 Top-mount power is available in 5 finishes:
 Black = ECB
 White = ECGW
 Silver = ECS
 Brushed Aluminum = ECAL
 Stainless Steel = ECSS.

Rectangular Media Tables

48" Deep Tops

1 1/4" Thick Top, 6" Wide Bases



Type	D	W	H	Pattern No.	TP1	TP2	T1 Upcharge	T2 Upcharge
1 (60") top, 1 (6") Base	48"	60"	29 1/4"	07MR48X60V1630	\$7,284	\$7,674	\$448	\$628
1 (72") top, 1 (6") Base	48"	72"	29 1/4"	07MR48X72V1630	7,383	7,781	448	628
1 (84") top, 1 (6") Base	48"	84"	29 1/4"	07MR48X84V1630	7,426	7,828	448	628
2 (48") tops, 1 (6") Base	48"	96"	29 1/4"	07MR48X96V1630	7,527	7,939	448	628
1 (60") top, 1 (6") Base	48"	60"	40 1/2"	07MR48X60V1642	7,797	8,227	448	628
1 (72") top, 1 (6") Base	48"	72"	40 1/2"	07MR48X72V1642	7,898	8,339	448	628
1 (84") top, 1 (6") Base	48"	84"	40 1/2"	07MR48X84V1642	7,949	8,392	448	628
2 (48") tops, 1 (6") Base	48"	96"	40 1/2"	07MR48X96V1642	8,052	8,506	448	628

Order Code	Specification Information	Pricing Tiers
<p>Example: 07MR48X60V1630</p> <p>07 JD Collection</p> <p>MR Media Table Rectangular</p> <p>48X Depth</p> <p>60 Width</p> <p>V Veneer</p> <p>1 1 1/4" thick top</p> <p>6 6" wide base</p> <p>30 Height</p>	<p>To order please specify pattern number including:</p> <ol style="list-style-type: none"> 1. Top finish: () 2. Base finish: () 3. Power and connectivity (): <p>Power Options</p> <p>Code: Description:</p> <p>NP No Power</p> <p>PU Perimeter USB</p> <p>UCO Undermount</p> <p>T2C Tabletop 2-Sided Lid</p>	<p>T1P = Tier 1 veneer top with painted base</p> <p>T2P = Tier 2 veneer top with painted bases</p> <p>T1 = Upcharge from T1P for Tier 1 veneer bases</p> <p>T2 = Upcharge from T2P for Tier 2 veneer bases</p> <p>Please refer to Materials and Finishes page 7 for specification details. Please refer to Accessories page 81 for specification details.</p>

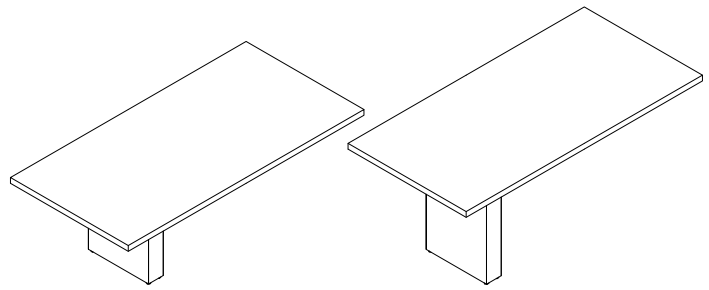
Application Notes

Tables comes with only one base.
 Under-mount and slide-out power is always Black.
 Tables ship knocked-down, assembly required.
 Tables come with structural metal aprons, finished in metallic black powder (MC12).
 Wire management handled vertically through bases and horizontally through aprons.
 Bases can fully or partially conceal a floor core, pending the application. This ability will vary based on type, size, location of the floor core.

Finish and grain matched on tables with multi-piece tops
 Undermount power units finished in metallic black powder (MC12).
 Tops pre-drilled for installation of undermount power.
 Undermount power unit comes with (x1) dual AC hardwire (HW) or plug in(PI) power module and (x2) single space blank plates. For additional connectivity please contact sales person.
 Top-mount power is available in 5 finishes:
 Black = ECB
 White = ECGW
 Silver = ECS
 Brushed Aluminum = ECAL
 Stainless Steel = ECSS.

Rectangular Media Tables

48" Deep Tops
2" Thick Top, 6" Wide Bases



Type	D	W	H	Pattern No.	TP1	TP2	T1 Upcharge	T2 Upcharge
1 (60") top, 1 (6") Base	48"	60"	29 ¼"	07MR48X60V2630	\$7,706	\$8,131	\$448	\$628
1 (72") top, 1 (6") Base	48"	72"	29 ¼"	07MR48X72V2630	7,844	8,279	448	628
1 (84") top, 1 (6") Base	48"	84"	29 ¼"	07MR48X84V2630	7,858	8,294	448	628
2 (48") tops, 1 (6") Base	48"	96"	29 ¼"	07MR48X96V2630	7,997	8,444	448	628
1 (60") top, 1 (6") Base	48"	60"	40 ½"	07MR48X60V2642	8,221	8,687	448	628
1 (72") top, 1 (6") Base	48"	72"	40 ½"	07MR48X72V2642	8,356	8,833	448	628
1 (84") top, 1 (6") Base	48"	84"	40 ½"	07MR48X84V2642	8,383	8,860	448	628
2 (48") tops, 1 (6") Base	48"	96"	40 ½"	07MR48X96V2642	8,519	9,009	448	628

Order Code	Specification Information	Pricing Tiers
Example: 07MR48X60V2630	To order please specify pattern number including:	<p>T1P = Tier 1 veneer top with painted base T2P = Tier 2 veneer top with painted bases T1 = Upcharge from T1P for Tier 1 veneer bases T2 = Upcharge from T2P for Tier 2 veneer bases</p> <p>Please refer to Materials and Finishes page 7 for specification details. Please refer to Accessories page 81 for specification details.</p>
07 JD Collection	1. Top finish: ()	
MR Media Table Rectangular	2. Base finish: ()	
48X Depth	3. Power and connectivity ():	
60 Width	Power Options	
V Veneer	Code: Description:	
2 2" thick top	NP No Power	
6 6" wide base	PU Perimeter USB	
30 Height	UCO Undermount	
	T2C Tabletop 2-Sided Lid	

Application Notes

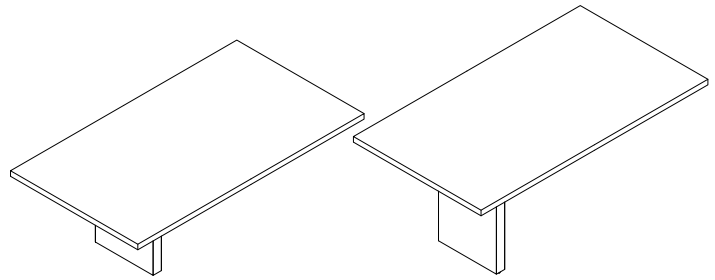
Tables comes with only one base.
 Under-mount and slide-out power is always Black.
 Tables ship knocked-down, assembly required.
 Tables come with structural metal aprons, finished in metallic black powder (MC12).
 Wire management handled vertically through bases and horizontally through aprons.
 Bases can fully or partially conceal a floor core, pending the application. This ability will vary based on type, size, location of the floor core.

Finish and grain matched on tables with multi-piece tops
 Undermount power units finished in metallic black powder (MC12).
 Tops pre-drilled for installation of undermount power.
 Undermount power unit comes with (x1) dual AC hardwire (HW) or plug in(PI) power module and (x2) single space blank plates. For additional connectivity please contact sales person.
 Top-mount power is available in 5 finishes:
 Black = ECB
 White = ECGW
 Silver = ECS
 Brushed Aluminum = ECAL
 Stainless Steel = ECSS.

Rectangular Media Tables

54" Deep Tops

1 1/4" Thick Top, 3 1/2" Wide Bases



Type	D	W	H	Pattern No.	TP1	TP2	T1 Upcharge	T2 Upcharge
1 (60") top, 1 (3 1/2") Base	54"	60"	29 1/4"	07MR54X60V1330	\$5,927	\$6,209	\$448	\$628
1 (72") top, 1 (3 1/2") Base	54"	72"	29 1/4"	07MR54X72V1330	6,670	7,013	448	628
1 (84") top, 1 (3 1/2") Base	54"	84"	29 1/4"	07MR54X84V1330	6,043	6,334	448	628
2 (48") tops, 1 (3 1/2") Base	54"	96"	29 1/4"	07MR54X96V1330	6,801	7,154	448	628
1 (60") top, 1 (3 1/2") Base	54"	60"	40 1/2"	07MR54X60V1342	7,145	7,525	448	628
1 (72") top, 1 (3 1/2") Base	54"	72"	40 1/2"	07MR54X72V1342	7,242	7,630	448	628
1 (84") top, 1 (3 1/2") Base	54"	84"	40 1/2"	07MR54X84V1342	7,285	7,675	448	628
2 (48") tops, 1 (3 1/2") Base	54"	96"	40 1/2"	07MR54X96V1342	7,384	7,783	448	628

Order Code	Specification Information	Pricing Tiers
Example: 07MR54X60V1330	To order please specify pattern number including: 1. Top finish: () 2. Base finish: () 3. Power and connectivity ():	T1P = Tier 1 veneer top with painted base T2P = Tier 2 veneer top with painted bases T1 = Upcharge from T1P for Tier 1 veneer bases T2 = Upcharge from T2P for Tier 2 veneer bases
07 JD Collection	Power Options	Please refer to Materials and Finishes page 7 for specification details. Please refer to Accessories page 81 for specification details.
MR Media Table Rectangular	Code: Description:	
54X Depth	NP No Power	
60 Width	PU Perimeter USB	
V Veneer	UCO Undermount	
1 1 1/4" thick top	T2C Tabletop 2-Sided Lid	
3 3 1/2" wide base		
30 Height		

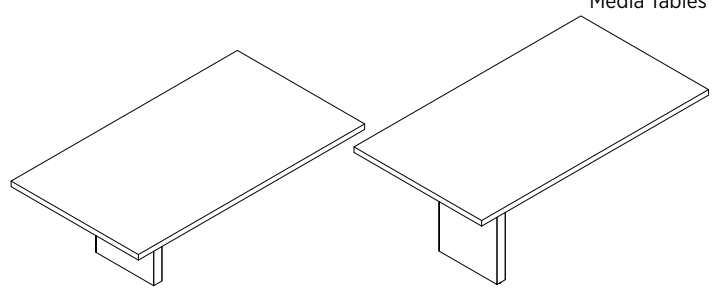
Application Notes

Tables comes with only one base.
Under-mount and slide-out power is always Black.
Tables ship knocked-down, assembly required.
Tables come with structural metal aprons, finished in metallic black powder (MC12).
Wire management handled vertically through bases and horizontally through aprons.
Bases can fully or partially conceal a floor core, pending the application. This ability will vary based on type, size, location of the floor core.

Finish and grain matched on tables with multi-piece tops
Undermount power units finished in metallic black powder (MC12).
Tops pre-drilled for installation of undermount power.
Undermount power unit comes with (x1) dual AC hardwire (HW) or plug in(PI) power module and (x2) single space blank plates. For additional connectivity please contact sales person.
Top-mount power is available in 5 finishes:
Black = ECB
White = ECGW
Silver = ECS
Brushed Aluminum = ECAL
Stainless Steel = ECSS.

Rectangular Media Tables

54" Deep Tops
2" Thick Top, 3 1/2" Wide Bases



Type	D	W	H	Pattern No.	TP1	TP2	T1 Upcharge	T2 Upcharge
1 (60") top, 1 (3 1/2") Base	54"	60"	29 1/4"	07MR54X60V2330	\$6,986	\$7,355	\$448	\$628
1 (72") top, 1 (3 1/2") Base	54"	72"	29 1/4"	07MR54X72V2330	7,126	7,505	448	628
1 (84") top, 1 (3 1/2") Base	54"	84"	29 1/4"	07MR54X84V2330	7,124	7,501	448	628
2 (48") tops, 1 (3 1/2") Base	54"	96"	29 1/4"	07MR54X96V2330	7,264	7,654	448	628
1 (60") top, 1 (3 1/2") Base	54"	60"	40 1/2"	07MR54X60V2342	7,574	7,989	448	628
1 (72") top, 1 (3 1/2") Base	54"	72"	40 1/2"	07MR54X72V2342	7,703	8,127	448	628
1 (84") top, 1 (3 1/2") Base	54"	84"	40 1/2"	07MR54X84V2342	7,721	8,148	448	628
2 (48") tops, 1 (3 1/2") Base	54"	96"	40 1/2"	07MR54X96V2342	7,853	8,291	448	628

Order Code	Specification Information	Pricing Tiers
Example: 07MR54X60V2330	To order please specify pattern number including: 1. Top finish: () 2. Base finish: () 3. Power and connectivity ():	T1P = Tier 1 veneer top with painted base T2P = Tier 2 veneer top with painted bases T1 = Upcharge from T1P for Tier 1 veneer bases T2 = Upcharge from T2P for Tier 2 veneer bases
07 JD Collection	Power Options	Please refer to Materials and Finishes page 7 for specification details. Please refer to Accessories page 81 for specification details.
MR Media Table Rectangular	Code: Description:	
54X Depth	NP No Power	
60 Width	PU Perimeter USB	
V Veneer	UCO Undermount	
2 2" thick top	T2C Tabletop 2-Sided Lid	
3 3 1/2" wide base		
30 Height		

Application Notes

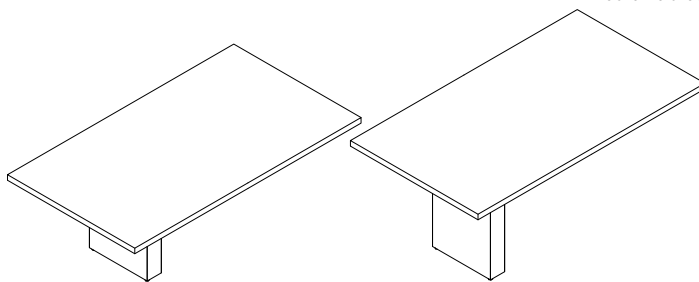
Tables comes with only one base.
 Under-mount and slide-out power is always Black.
 Tables ship knocked-down, assembly required.
 Tables come with structural metal aprons, finished in metallic black powder (MC12).
 Wire management handled vertically through bases and horizontally through aprons.
 Bases can fully or partially conceal a floor core, pending the application. This ability will vary based on type, size, location of the floor core.

Finish and grain matched on tables with multi-piece tops
 Undermount power units finished in metallic black powder (MC12).
 Tops pre-drilled for installation of undermount power.
 Undermount power unit comes with (x1) dual AC hardwire (HW) or plug in(PI) power module and (x2) single space blank plates. For additional connectivity please contact sales person.
 Top-mount power is available in 5 finishes:
 Black = ECB
 White = ECGW
 Silver = ECS
 Brushed Aluminum = ECAL
 Stainless Steel = ECSS.

Rectangular Media Tables

54" Deep Tops

1 1/4" Thick Top, 6" Wide Bases



Type	D	W	H	Pattern No.	TP1	TP2	T1 Upcharge	T2 Upcharge
1 (60") top, 1 (6") Base	54"	60"	29 1/4"	07MR54X60V1630	\$7,727	\$8,153	\$448	\$628
1 (72") top, 1 (6") Base	54"	72"	29 1/4"	07MR54X72V1630	7,826	8,260	448	628
1 (84") top, 1 (6") Base	54"	84"	29 1/4"	07MR54X84V1630	7,877	8,316	448	628
2 (48") tops, 1 (6") Base	54"	96"	29 1/4"	07MR54X96V1630	7,979	8,426	448	628
1 (60") top, 1 (6") Base	54"	60"	40 1/2"	07MR54X60V1642	8,301	8,773	448	628
1 (72") top, 1 (6") Base	54"	72"	40 1/2"	07MR54X72V1642	8,403	8,883	448	628
1 (84") top, 1 (6") Base	54"	84"	40 1/2"	07MR54X84V1642	8,462	8,949	448	628
2 (48") tops, 1 (6") Base	54"	96"	40 1/2"	07MR54X96V1642	8,567	9,060	448	628

Order Code	Specification Information	Pricing Tiers
Example: 07MR54X60V1630	To order please specify pattern number including: 1. Top finish: () 2. Base finish: () 3. Power and connectivity ():	T1P = Tier 1 veneer top with painted base T2P = Tier 2 veneer top with painted bases T1 = Upcharge from T1P for Tier 1 veneer bases T2 = Upcharge from T2P for Tier 2 veneer bases
07 JD Collection	Power Options	Please refer to Materials and Finishes page 7 for specification details. Please refer to Accessories page 81 for specification details.
MR Media Table Rectangular	Code: Description:	
54X Depth	NP No Power	
60 Width	PU Perimeter USB	
V Veneer	UCO Undermount	
1 1 1/4" thick top	T2C Tabletop 2-Sided Lid	
6 6" wide base		
30 Height		

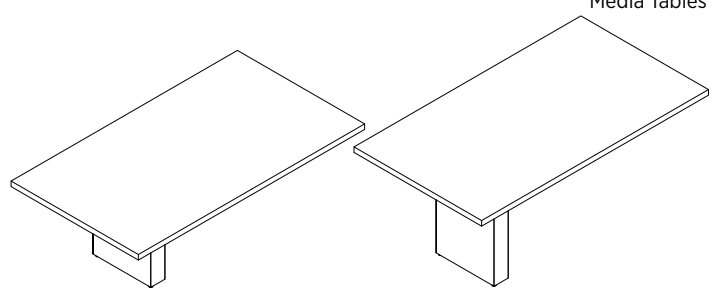
Application Notes

Tables comes with only one base.
Under-mount and slide-out power is always Black.
Tables ship knocked-down, assembly required.
Tables come with structural metal aprons, finished in metallic black powder (MC12).
Wire management handled vertically through bases and horizontally through aprons.
Bases can fully or partially conceal a floor core, pending the application. This ability will vary based on type, size, location of the floor core.

Finish and grain matched on tables with multi-piece tops
Undermount power units finished in metallic black powder (MC12).
Tops pre-drilled for installation of undermount power.
Undermount power unit comes with (x1) dual AC hardwire (HW) or plug in(PI) power module and (x2) single space blank plates. For additional connectivity please contact sales person.
Top-mount power is available in 5 finishes:
Black = ECB
White = ECGW
Silver = ECS
Brushed Aluminum = ECAL
Stainless Steel = ECSS.

Rectangular Media Tables

54" Deep Tops
2" Thick Top, 6" Wide Bases



Type	D	W	H	Pattern No.	TP1	TP2	T1 Upcharge	T2 Upcharge
1 (60") top, 1 (6") Base	54"	60"	29 ¼"	07MR54X60V2630	\$8,150	\$8,611	\$448	\$628
1 (72") top, 1 (6") Base	54"	72"	29 ¼"	07MR54X72V2630	8,290	8,761	448	628
1 (84") top, 1 (6") Base	54"	84"	29 ¼"	07MR54X84V2630	8,310	8,783	448	628
2 (48") tops, 1 (6") Base	54"	96"	29 ¼"	07MR54X96V2630	8,453	8,936	448	628
1 (60") top, 1 (6") Base	54"	60"	40 ½"	07MR54X60V2642	8,727	9,232	448	628
1 (72") top, 1 (6") Base	54"	72"	40 ½"	07MR54X72V2642	8,866	9,384	448	628
1 (84") top, 1 (6") Base	54"	84"	40 ½"	07MR54X84V2642	8,898	9,418	448	628
2 (48") tops, 1 (6") Base	54"	96"	40 ½"	07MR54X96V2642	9,040	9,572	448	628

Order Code	Specification Information	Pricing Tiers
Example: 07MR54X60V2630	To order please specify pattern number including: 1. Top finish: () 2. Base finish: () 3. Power and connectivity ():	T1P = Tier 1 veneer top with painted base T2P = Tier 2 veneer top with painted bases T1 = Upcharge from T1P for Tier 1 veneer bases T2 = Upcharge from T2P for Tier 2 veneer bases
07 JD Collection	Power Options	Please refer to Materials and Finishes page 7 for specification details. Please refer to Accessories page 81 for specification details.
MR Media Table Rectangular	Code: Description:	
54X Depth	NP No Power	
60 Width	PU Perimeter USB	
V Veneer	UCO Undermount	
2 2" thick top	T2C Tabletop 2-Sided Lid	
6 6" wide base		
30 Height		

Application Notes

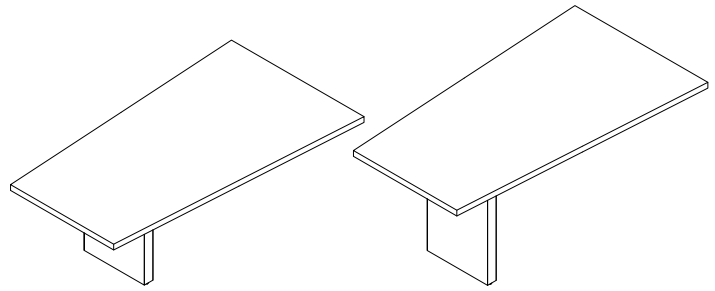
Tables comes with only one base.
 Under-mount and slide-out power is always Black.
 Tables ship knocked-down, assembly required.
 Tables come with structural metal aprons, finished in metallic black powder (MC12).
 Wire management handled vertically through bases and horizontally through aprons.
 Bases can fully or partially conceal a floor core, pending the application. This ability will vary based on type, size, location of the floor core.

Finish and grain matched on tables with multi-piece tops
 Undermount power units finished in metallic black powder (MC12).
 Tops pre-drilled for installation of undermount power.
 Undermount power unit comes with (x1) dual AC hardwire (HW) or plug in(PI) power module and (x2) single space blank plates. For additional connectivity please contact sales person.
 Top-mount power is available in 5 finishes:
 Black = ECB
 White = ECGW
 Silver = ECS
 Brushed Aluminum = ECAL
 Stainless Steel = ECSS.

Trapezoid Media Tables

42"-54" Deep Tops

1 1/4" Thick Top, 3 1/2" Wide Bases



Type	D	W	H	Pattern No.	TP1	TP2 Upcharge	T1 Upcharge	T2 Upcharge
1 (60") top, 1 (3 1/2") Base	42"/54"	60"	29 1/4"	07MT4254X60V1330	\$5,927	\$6,209	\$448	\$628
1 (72") top, 1 (3 1/2") Base	42"/54"	72"	29 1/4"	07MT4254X72V1330	6,034	6,334	448	628
1 (84") top, 1 (3 1/2") Base	42"/54"	84"	29 1/4"	07MT4254X84V1330	6,670	7,013	448	628
2 (48") tops, 1 (3 1/2") Base	42"/54"	96"	29 1/4"	07MT4254X96V1330	6,801	7,154	448	628
1 (60") top, 1 (3 1/2") Base	42"/54"	60"	40 1/2"	07MT4254X60V1342	7,145	7,525	448	628
1 (72") top, 1 (3 1/2") Base	42"/54"	72"	40 1/2"	07MT4254X72V1342	7,242	7,630	448	628
1 (84") top, 1 (3 1/2") Base	42"/54"	84"	40 1/2"	07MT4254X84V1342	7,285	7,675	448	628
2 (48") tops, 1 (3 1/2") Base	42"/54"	96"	40 1/2"	07MT4254X96V1342	7,384	7,783	448	628

Order Code	Specification Information	Pricing Tiers
<p>Example: 07MT4254X60V1330</p> <p>07 JD Collection</p> <p>MT Media Table Trapezoid</p> <p>4254X Depth</p> <p>60 Width</p> <p>V Veneer</p> <p>1 1 1/4" thick top</p> <p>3 3 1/2" wide base</p> <p>30 Height</p>	<p>To order please specify pattern number including:</p> <ol style="list-style-type: none"> 1. Top finish: () 2. Base finish: () 3. Power and connectivity (): <p>Power Options</p> <p>Code: Description:</p> <p>NP No Power</p> <p>PU Perimeter USB</p> <p>UCO Undermount</p> <p>T2C Tabletop 2-Sided Lid</p>	<p>T1P = Tier 1 veneer top with painted base</p> <p>T2P = Tier 2 veneer top with painted bases</p> <p>T1 = Upcharge from T1P for Tier 1 veneer bases</p> <p>T2 = Upcharge from T2P for Tier 2 veneer bases</p>

Please refer to Materials and Finishes [page 7](#) for specification details. Please refer to Accessories [page 81](#) for specification details.

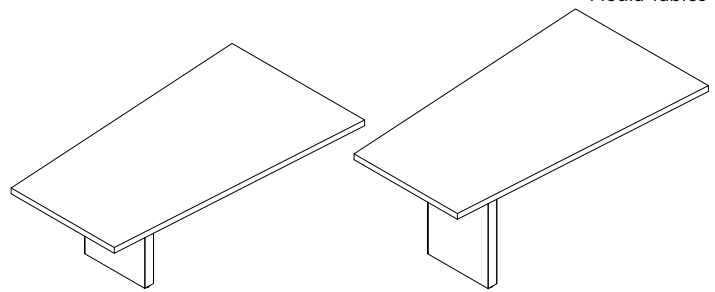
Application Notes

Tables comes with only one base.
 Under-mount and slide-out power is always Black.
 Tables ship knocked-down, assembly required.
 Tables come with structural metal aprons, finished in metallic black powder (MC12).
 Wire management handled vertically through bases and horizontally through aprons.
 Bases can fully or partially conceal a floor core, pending the application. This ability will vary based on type, size, location of the floor core.

Finish and grain matched on tables with multi-piece tops
 Undermount power units finished in metallic black powder (MC12).
 Tops pre-drilled for installation of undermount power.
 Undermount power unit comes with (x1) dual AC hardwire (HW) or plug in(PI) power module and (x2) single space blank plates. For additional connectivity please contact sales person.
 Top-mount power is available in 5 finishes:
 Black = ECB
 White = ECGW
 Silver = ECS
 Brushed Aluminum = ECAL
 Stainless Steel = ECSS.

Trapezoid Media Tables

42"-54" Deep Tops
2" Thick Top, 3 1/2" Wide Bases



Type	D	W	H	Pattern No.	TP1	TP2	T1 Upcharge	T2 Upcharge
1 (60") top, 1 (3 1/2") Base	42"/54"	60"	29 1/4"	07MT4254X60V2330	\$6,986	\$7,355	\$448	\$628
1 (72") top, 1 (3 1/2") Base	42"/54"	72"	29 1/4"	07MT4254X72V2330	7,126	7,505	448	628
1 (84") top, 1 (3 1/2") Base	42"/54"	84"	29 1/4"	07MT4254X84V2330	7,124	7,501	448	628
2 (48") tops, 1 (3 1/2") Base	42"/54"	96"	29 1/4"	07MT4254X96V2330	7,264	7,654	448	628
1 (60") top, 1 (3 1/2") Base	42"/54"	60"	40 1/2"	07MT4254X60V2342	7,574	7,989	448	628
1 (72") top, 1 (3 1/2") Base	42"/54"	72"	40 1/2"	07MT4254X72V2342	7,703	8,127	448	628
1 (84") top, 1 (3 1/2") Base	42"/54"	84"	40 1/2"	07MT4254X84V2342	7,721	8,148	448	628
2 (48") tops, 1 (3 1/2") Base	42"/54"	96"	40 1/2"	07MT4254X96V2342	7,853	8,291	448	628

Order Code	Specification Information	Pricing Tiers
<p>Example: 07MT4254X60V2330</p> <p>07 JD Collection</p> <p>MT Media Table Trapezoid</p> <p>4254X Depth</p> <p>60 Width</p> <p>V Veneer</p> <p>2 2" thick top</p> <p>3 3 1/2" wide base</p> <p>30 Height</p>	<p>To order please specify pattern number including:</p> <ol style="list-style-type: none"> 1. Top finish: () 2. Base finish: () 3. Power and connectivity (): <p>Power Options</p> <p>Code: Description:</p> <p>NP No Power</p> <p>PU Perimeter USB</p> <p>UCO Undermount</p> <p>T2C Tabletop 2-Sided Lid</p>	<p>T1P = Tier 1 veneer top with painted base</p> <p>T2P = Tier 2 veneer top with painted bases</p> <p>T1 = Upcharge from T1P for Tier 1 veneer bases</p> <p>T2 = Upcharge from T2P for Tier 2 veneer bases</p> <p>Please refer to Materials and Finishes page 7 for specification details. Please refer to Accessories page 81 for specification details.</p>

Application Notes

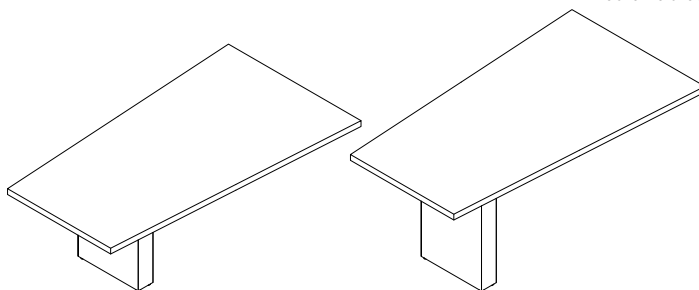
Tables comes with only one base.
 Under-mount and slide-out power is always Black.
 Tables ship knocked-down, assembly required.
 Tables come with structural metal aprons, finished in metallic black powder (MC12).
 Wire management handled vertically through bases and horizontally through aprons.
 Bases can fully or partially conceal a floor core, pending the application. This ability will vary based on type, size, location of the floor core.

Finish and grain matched on tables with multi-piece tops
 Undermount power units finished in metallic black powder (MC12).
 Tops pre-drilled for installation of undermount power.
 Undermount power unit comes with (x1) dual AC hardwire (HW) or plug in(PI) power module and (x2) single space blank plates. For additional connectivity please contact sales person.
 Top-mount power is available in 5 finishes:
 Black = ECB
 White = ECGW
 Silver = ECS
 Brushed Aluminum = ECAL
 Stainless Steel = ECSS.

Trapezoid Media Tables

42"-54" Deep Tops

1 1/4" Thick Top, 6" Wide Bases



Type	D	W	H	Pattern No.	TP1	TP2	T1 Upcharge	T2 Upcharge
1 (60") top, 1 (6") Base	42"/54"	60"	29 1/4"	07MT4254X60V1630	\$7,727	\$8,153	\$448	\$628
1 (72") top, 1 (6") Base	42"/54"	72"	29 1/4"	07MT4254X72V1630	7,826	8,260	448	628
1 (84") top, 1 (6") Base	42"/54"	84"	29 1/4"	07MT4254X84V1630	7,877	8,316	448	628
2 (48") tops, 1 (6") Base	42"/54"	96"	29 1/4"	07MT4254X96V1630	7,979	8,426	448	628
1 (60") top, 1 (6") Base	42"/54"	60"	40 1/2"	07MT4254X60V1642	8,301	8,773	448	628
1 (72") top, 1 (6") Base	42"/54"	72"	40 1/2"	07MT4254X72V1642	8,403	8,883	448	628
1 (84") top, 1 (6") Base	42"/54"	84"	40 1/2"	07MT4254X84V1642	8,462	8,949	448	628
2 (48") tops, 1 (6") Base	42"/54"	96"	40 1/2"	07MT4254X96V1642	8,567	9,060	448	628

Order Code	Specification Information	Pricing Tiers
Example: 07MT4254X60V1630	To order please specify pattern number including: 1. Top finish: () 2. Base finish: () 3. Power and connectivity ():	T1P = Tier 1 veneer top with painted base T2P = Tier 2 veneer top with painted bases T1 = Upcharge from T1P for Tier 1 veneer bases T2 = Upcharge from T2P for Tier 2 veneer bases
07 JD Collection	Power Options	Please refer to Materials and Finishes page 7 for specification details. Please refer to Accessories page 81 for specification details.
MT Media Table Trapezoid	Code: Description:	
4254X Depth	NP No Power	
60 Width	PU Perimeter USB	
V Veneer	UCO Undermount	
1 1 1/4" thick top	T2C Tabletop 2-Sided Lid	
6 6" wide base		
30 Height		

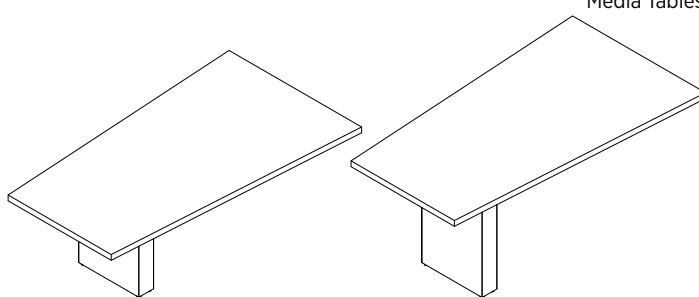
Application Notes

Tables comes with only one base.
Under-mount and slide-out power is always Black.
Tables ship knocked-down, assembly required.
Tables come with structural metal aprons, finished in metallic black powder (MC12).
Wire management handled vertically through bases and horizontally through aprons.
Bases can fully or partially conceal a floor core, pending the application. This ability will vary based on type, size, location of the floor core.

Finish and grain matched on tables with multi-piece tops
Undermount power units finished in metallic black powder (MC12).
Tops pre-drilled for installation of undermount power.
Undermount power unit comes with (x1) dual AC hardwire (HW) or plug in(PI) power module and (x2) single space blank plates. For additional connectivity please contact sales person.
Top-mount power is available in 5 finishes:
Black = ECB
White = ECGW
Silver = ECS
Brushed Aluminum = ECAL
Stainless Steel = ECSS.

Trapezoid Media Tables

42"-54" Deep Tops
2" Thick Top, 6" Wide Bases



Type	D	W	H	Pattern No.	TP1	TP2	T1 Upcharge	T2 Upcharge
1 (60") top, 1 (6") Base	42"/54"	60"	29 ¼"	07MT4254X60V2630	\$8,150	\$8,611	\$448	\$628
1 (72") top, 1 (6") Base	42"/54"	72"	29 ¼"	07MT4254X72V2630	8,290	8,761	448	628
1 (84") top, 1 (6") Base	42"/54"	84"	29 ¼"	07MT4254X84V2630	8,310	8,783	448	628
2 (48") tops, 1 (6") Base	42"/54"	96"	29 ¼"	07MT4254X96V2630	8,453	8,936	448	628
1 (60") top, 1 (6") Base	42"/54"	60"	40 ½"	07MT4254X60V2642	8,727	9,232	448	628
1 (72") top, 1 (6") Base	42"/54"	72"	40 ½"	07MT4254X72V2642	8,866	9,384	448	628
1 (84") top, 1 (6") Base	42"/54"	84"	40 ½"	07MT4254X84V2642	8,898	9,418	448	628
2 (48") tops, 1 (6") Base	42"/54"	96"	40 ½"	07MT4254X96V2642	9,040	9,572	448	628

Order Code	Specification Information	Pricing Tiers
<p>Example: 07MT4254X60V2630</p> <p>07 JD Collection</p> <p>MT Media Table Trapezoid</p> <p>4254X Depth</p> <p>60 Width</p> <p>V Veneer</p> <p>2 2" thick top</p> <p>6 6" wide base</p> <p>30 Height</p>	<p>To order please specify pattern number including:</p> <ol style="list-style-type: none"> Top finish: () Base finish: () Power and connectivity (): <p>Power Options</p> <p>Code: Description:</p> <p>NP No Power</p> <p>PU Perimeter USB</p> <p>UCO Undermount</p> <p>T2C Tabletop 2-Sided Lid</p>	<p>TIP = Tier 1 veneer top with painted base</p> <p>T2P = Tier 2 veneer top with painted bases</p> <p>T1 = Upcharge from T1P for Tier 1 veneer bases</p> <p>T2 = Upcharge from T2P for Tier 2 veneer bases</p>

Please refer to Materials and Finishes [page 7](#) for specification details. Please refer to Accessories [page 81](#) for specification details.

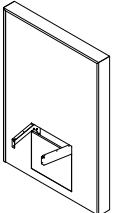
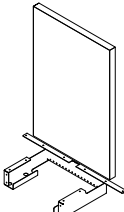
Application Notes

Tables comes with only one base.
 Under-mount and slide-out power is always Black.
 Tables ship knocked-down, assembly required.
 Tables come with structural metal aprons, finished in metallic black powder (MC12).
 Wire management handled vertically through bases and horizontally through aprons.
 Bases can fully or partially conceal a floor core, pending the application. This ability will vary based on type, size, location of the floor core.

Finish and grain matched on tables with multi-piece tops
 Undermount power units finished in metallic black powder (MC12).
 Tops pre-drilled for installation of undermount power.
 Undermount power unit comes with (x1) dual AC hardwire (HW) or plug in(PI) power module and (x2) single space blank plates. For additional connectivity please contact sales person.
 Top-mount power is available in 5 finishes:
 Black = ECB
 White = ECGW
 Silver = ECS
 Brushed Aluminum = ECAL
 Stainless Steel = ECSS.

Media Table Accesories

Wall Connections

Type	W	H	Wall Thickness	Pattern No.	Tier 1	Tier 2	LIST
	30"H Table Full Wall	56 ½"	72 ½"	6 ½"	07MFSI57797	\$10,389	\$10,586
	42"H Table Full Wall	56 ½"	72 ½"	6 ½"	07MFST57797	10,389	10,586
	Partial Wall	24 ½"	36"	2"	07MPH24362	3,075	3,257
	Wall Bracket				07MBR		\$1,000

Order Code	Specification Information	Pricing Tiers
Example: 07MPH24362	To order please specify pattern number including:	T1 = Tier 1 veneer T2 = Tier 2 veneer
07 JD Collection	1. Trim Finish	Media Wall bracket is only for the cantilever table mounted on an architectural wall. For the Full and Partial Media Wall, the bracket is included.
MP Media Partial Height Wall	2. Table Side Finish	
24 Width	3. Other Side Finish	
36 Height	Please refer to Materials and Finishes page for specification details.	
2 Thickness		

JD Collection Waterfall Tables



DATESWEISER

General Specifications

Waterfall Tables Product Overview

Design Features Of Tables

- Panel Thickness: 3.000 " (For both 1- and 2-piece designs)
- Apron Height: 5.000 " (For both 1- and 2-piece designs)
- Veneer finishes only
- Height Adjustable Cable Access Covers on inside of End Panels



42H x 30D x 84W Waterfall Table (1-Piece)



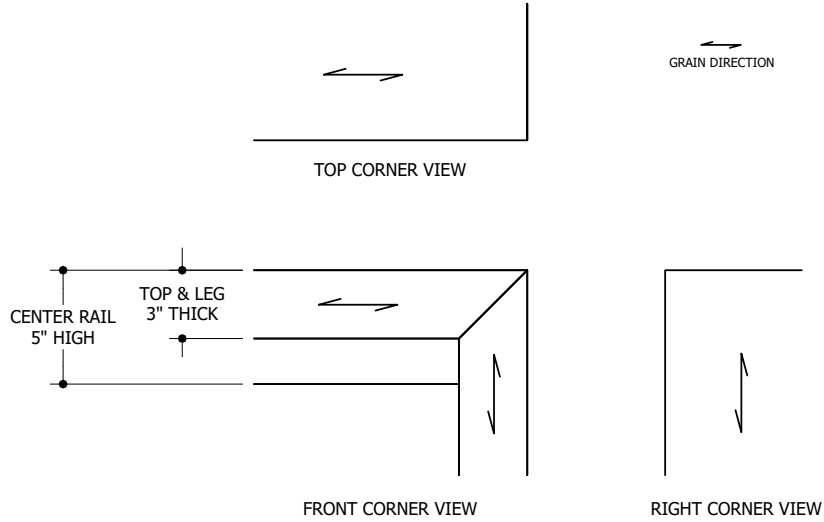
42H x 42D x 120W Waterfall Table (2-Piece)



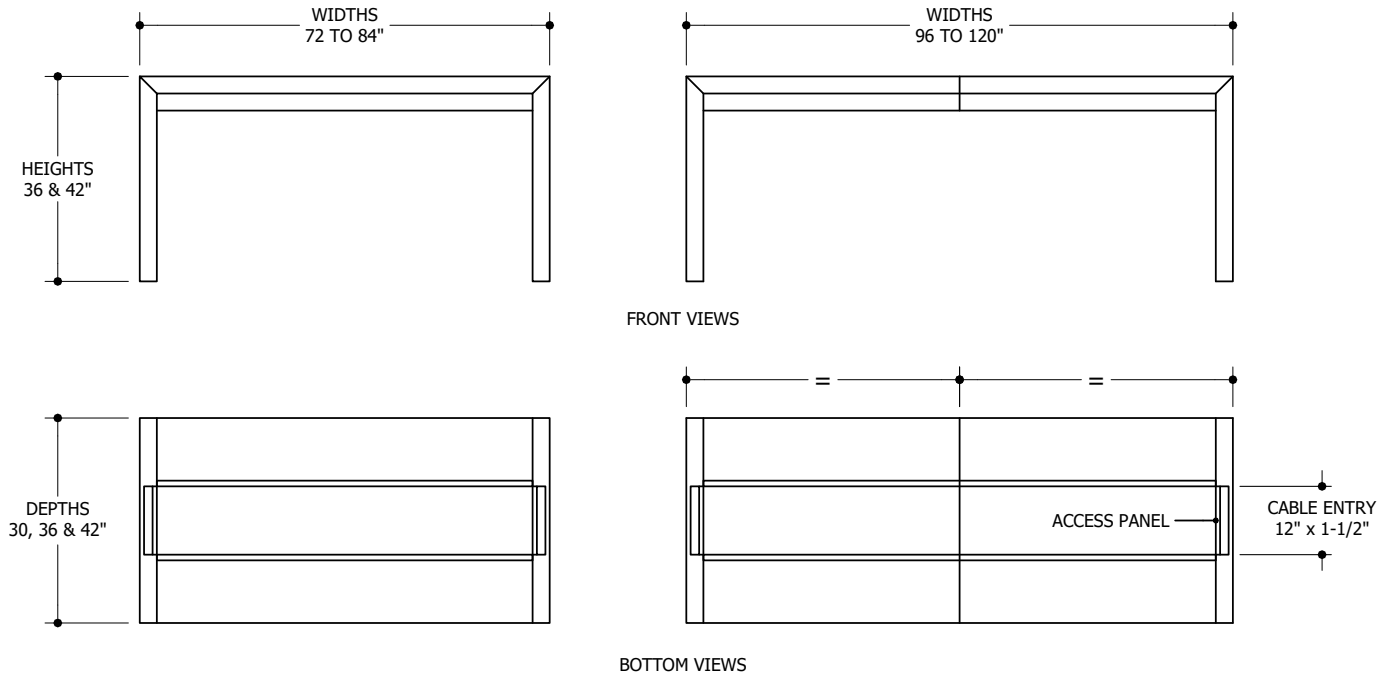
General Specifications

Waterfall Tables Table Construction

Edge Profiles & Grain Direction



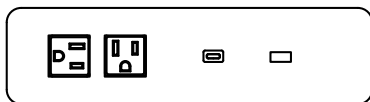
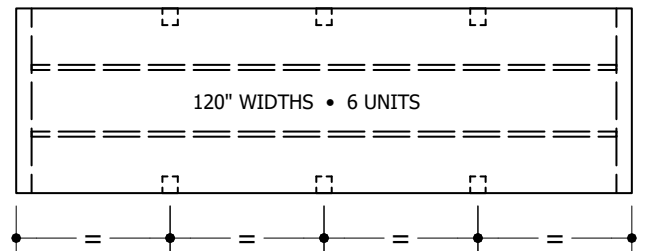
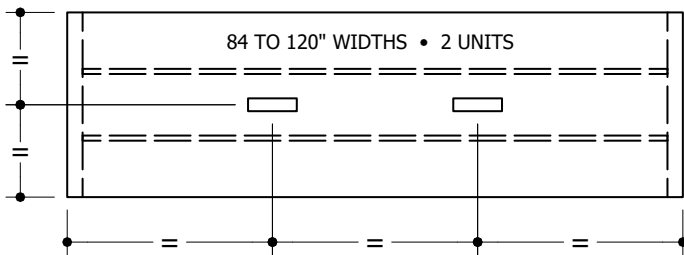
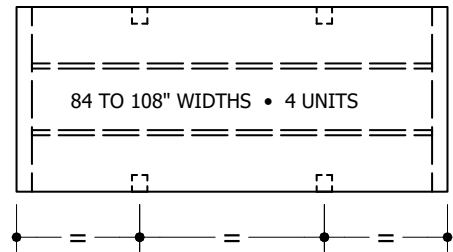
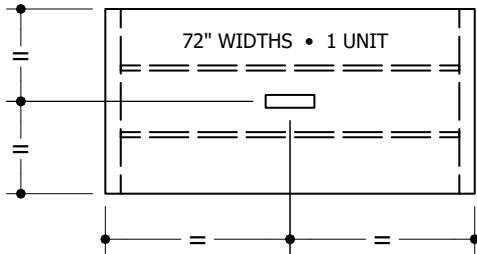
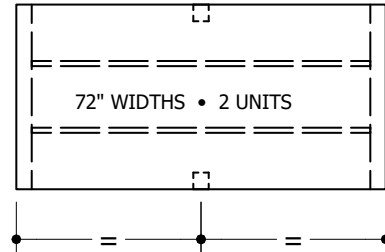
Elevations, Splits & Cable Chase



General Specifications

Waterfall Tables Power & Connectivity

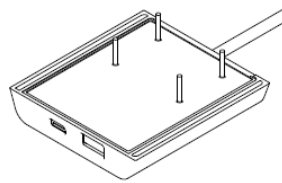
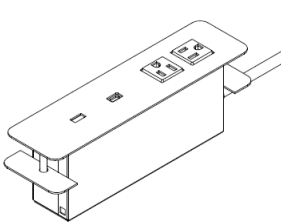
Power Unit Locations & Quantities by Width



TOPMOUNT POWER
AC + USB-A/C 60W



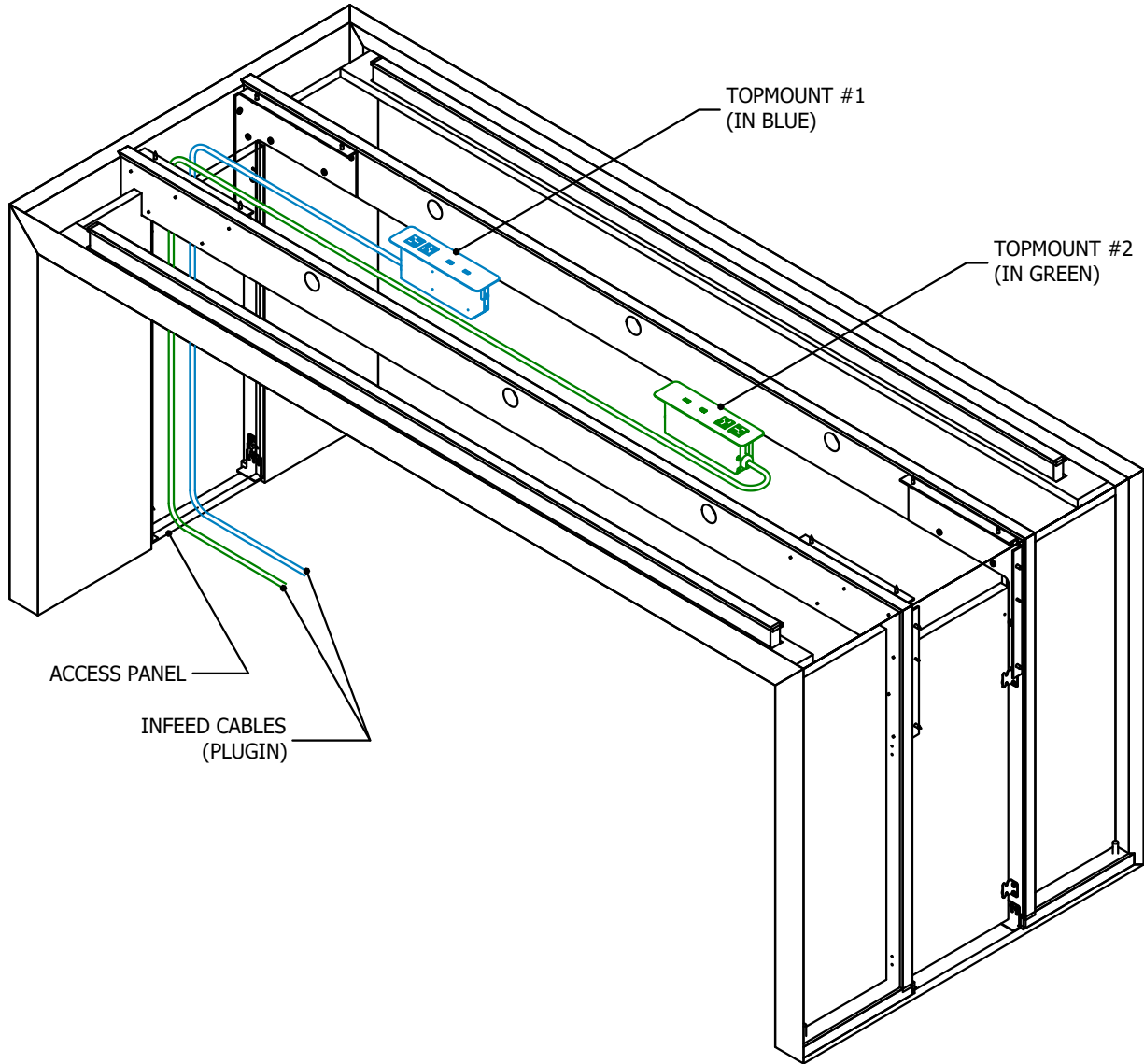
PERIMETER POWER
USB-A/C 12\36W



General Specifications

Waterfall Tables Power & Connectivity

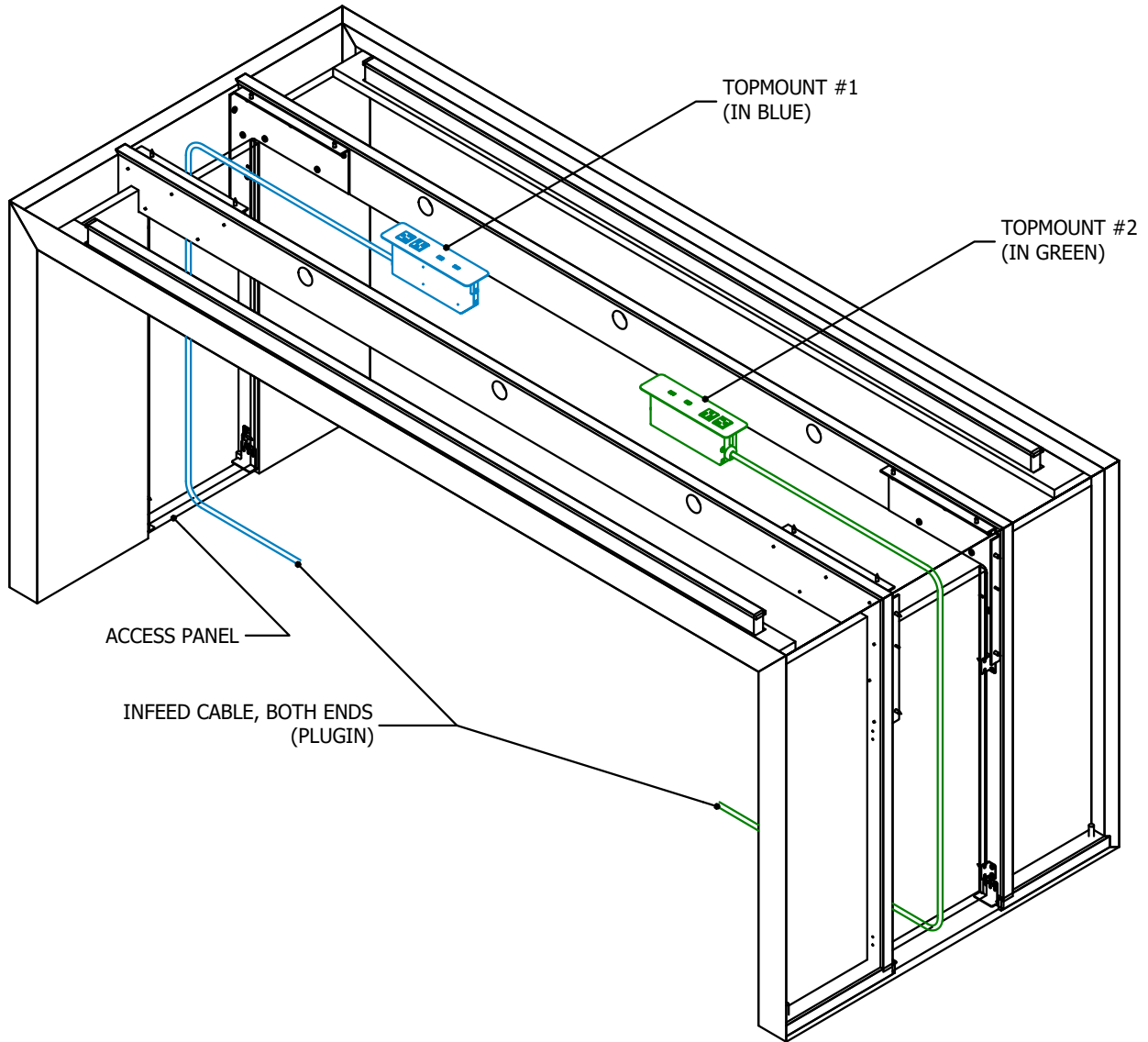
Topmount Cable Management w/ Power Connections at One End



General Specifications

Waterfall Tables Power & Connectivity

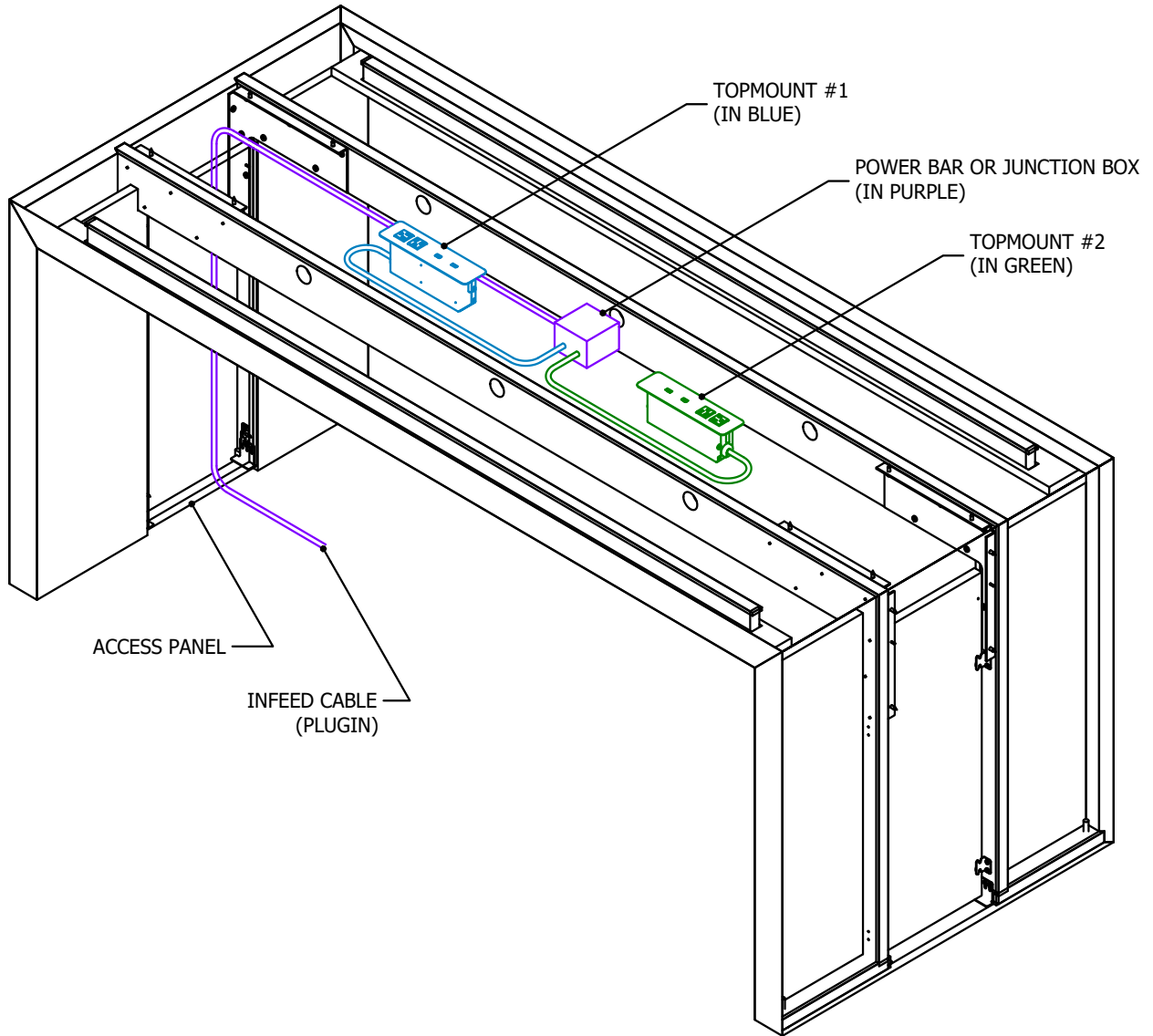
Topmount Cable Management w/ Power Connections at Both Ends



General Specifications

Waterfall Tables Power & Connectivity

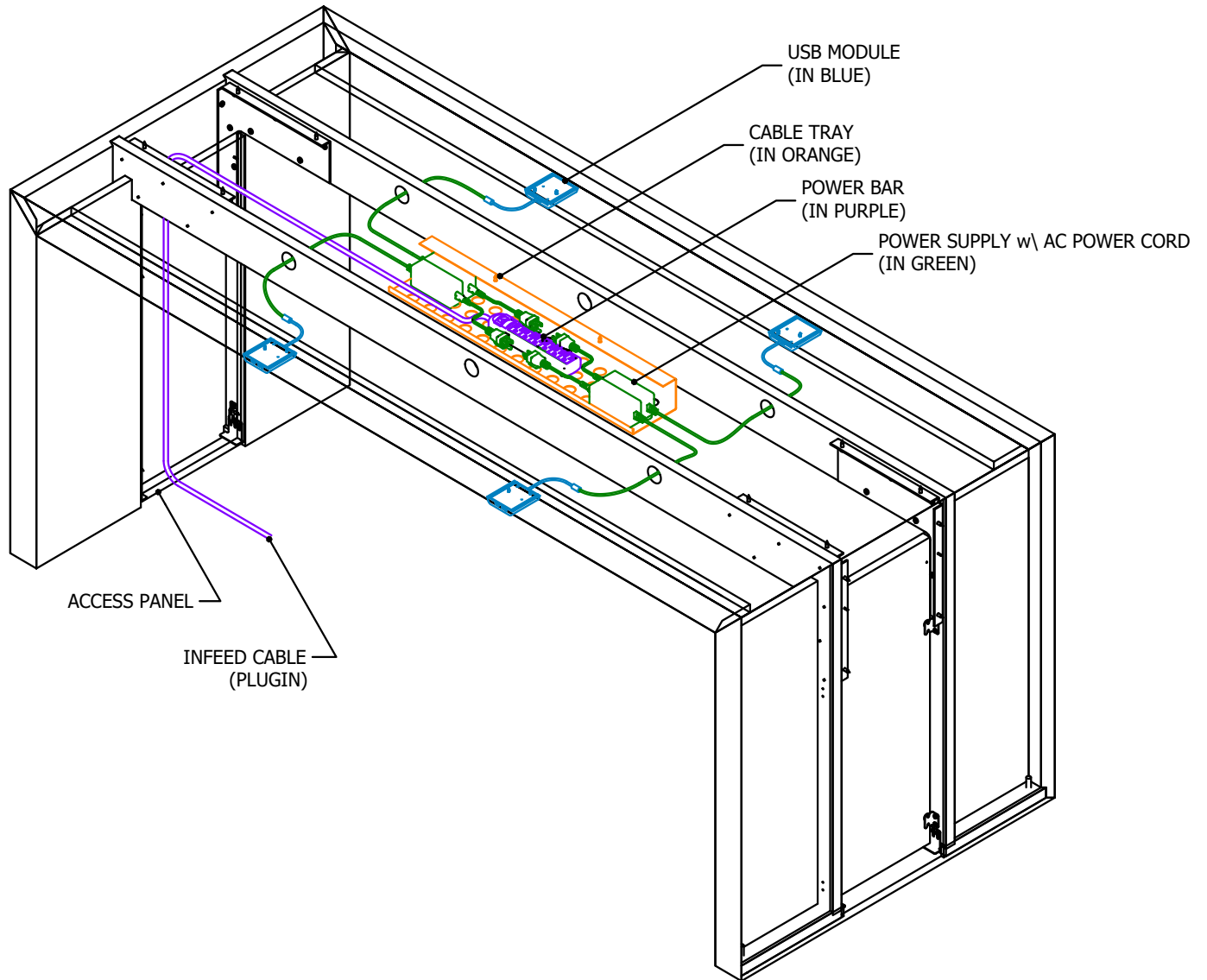
Topmount Cable Management w/ Power Bar or Junction Box



General Specifications

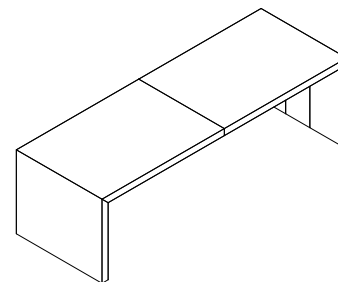
Waterfall Tables Power & Connectivity

Perimeter USB Cable Management



Waterfall Tables

**30", 36" & 42" Deep, 36" High
Counter Height**



Type	D	W	H	Pattern No.	T1	T2
1 (72") Top	30"	72"	36"	07WTM30X72V36	\$9,300	\$9,858
1 (84") Top	30"	84"	36"	07WTM30X84V36	10,654	11,293
2 (48") Tops	30"	96"	36"	07WTM30X96V36	14,319	15,178
2 (54") Tops	30"	108"	36"	07WTM30X108V36	15,248	16,163
2 (60") Tops	30"	120"	36"	07WTM30X120V36	16,169	17,139
1 (72") Top	36"	72"	36"	07WTM36X72V36	10,971	11,629
1 (84") Top	36"	84"	36"	07WTM36X84V36	11,913	12,628
2 (48") Tops	36"	96"	36"	07WTM36X96V36	15,858	16,809
2 (54") Tops	36"	108"	36"	07WTM36X108V36	16,975	17,994
2 (60") Tops	36"	120"	36"	07WTM36X120V36	18,054	19,137
1 (72") Top	42"	72"	36"	07WTM42X72V36	12,089	12,814
1 (84") Top	42"	84"	36"	07WTM42X84V36	13,208	14,000
2 (48") Tops	42"	96"	36"	07WTM42X96V36	17,203	18,235
2 (54") Tops	42"	108"	36"	07WTM42X108V36	19,253	20,408
2 (60") Tops	42"	120"	36"	07WTM42X120V36	19,845	21,036

Order Code

Example: **07WTM30X72V36**

07	JD Collection
WTM	Waterfall Table
30X	Depth
72	Width
V	Veneer
36	Height

Specification Information

To order please specify pattern number including:

1. Table (Veneer) finish: ()
2. Power and connectivity: ()
3. Topmount Finish (If Required)

NP No Power.
TMPI Top-mount, Plug in.
PUPI Perimeter USB Plug in.

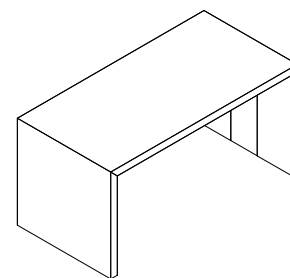
Pricing Tiers

T1 = Tier 1 veneer
T2 = Tier 2 veneer

Please refer to Materials and Finishes [page 7](#) for specification details. Please refer to Accessories [page 81](#) for specification details.

Waterfall Media Tables

30", 36" & 42" Deep, 42" High Bar Height



Type	D	W	H	Pattern No.	T1	T2
1 (72") Top	30"	72"	42"	07WTM30X72V42	\$9,996	\$10,596
1 (84") Top	30"	84"	42"	07WTM30X84V42	10,716	11,359
2 (48") Tops	30"	96"	42"	07WTM30X96V42	14,451	15,318
2 (54") Tops	30"	108"	42"	07WTM30X108V42	15,350	16,271
2 (60") Tops	30"	120"	42"	07WTM30X120V42	16,296	17,274
1 (72") Top	36"	72"	42"	07WTM36X72V42	11,142	11,811
1 (84") Top	36"	84"	42"	07WTM36X84V42	12,325	13,065
2 (48") Tops	36"	96"	42"	07WTM36X96V42	16,025	16,987
2 (54") Tops	36"	108"	42"	07WTM36X108V42	17,138	18,166
2 (60") Tops	36"	120"	42"	07WTM36X120V42	18,213	19,306
1 (72") Top	42"	72"	42"	07WTM42X72V42	12,290	13,027
1 (84") Top	42"	84"	42"	07WTM42X84V42	13,403	14,207
2 (48") Tops	42"	96"	42"	07WTM42X96V42	17,596	18,652
2 (54") Tops	42"	108"	42"	07WTM42X108V42	19,028	20,170
2 (60") Tops	42"	120"	42"	07WTM42X120V42	19,905	21,099

Order Code	Specification Information	Pricing Tiers	
Example: 07WTM30X72V42	To order please specify pattern number including:	T1 = Tier 1 veneer T2 = Tier 2 veneer	Please refer to Materials and Finishes page 7 for specification details. Please refer to Accessories page 81 for specification details.
07 JD Collection	1. Table (Veneer) finish: ()		
WTM Waterfall Table	2. Power and connectivity: ()		
30X Depth	3. Topmount Finish (If Required)		
72 Width	NP No Power.		
V Veneer	TMPI Top-mount, Plug in.		
42 Height	PUPI Perimeter USB Plug in.		

JD Collection Credenzas



DATESWEISER

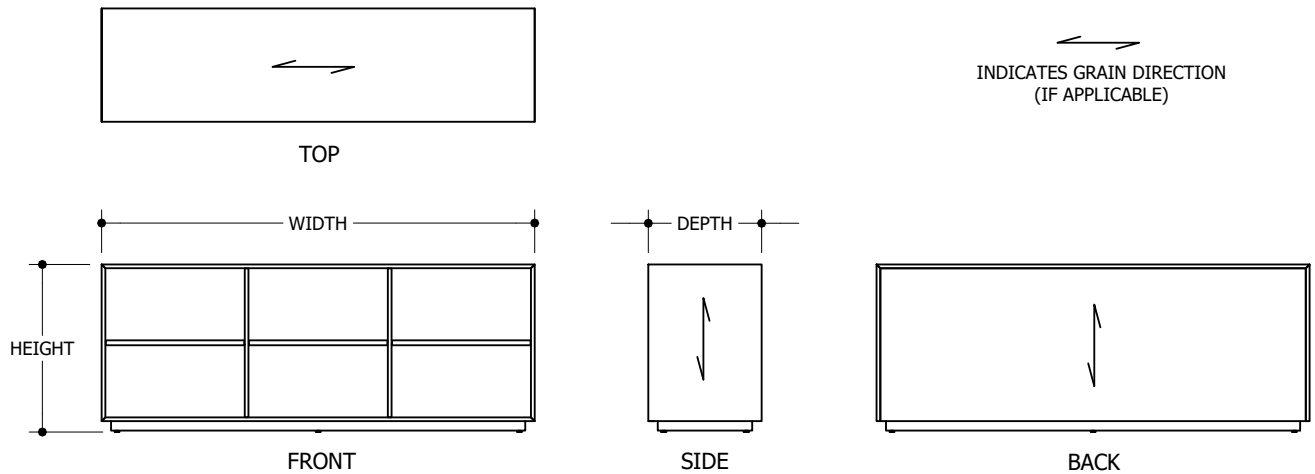
General Specifications

Credenzas Product Overview

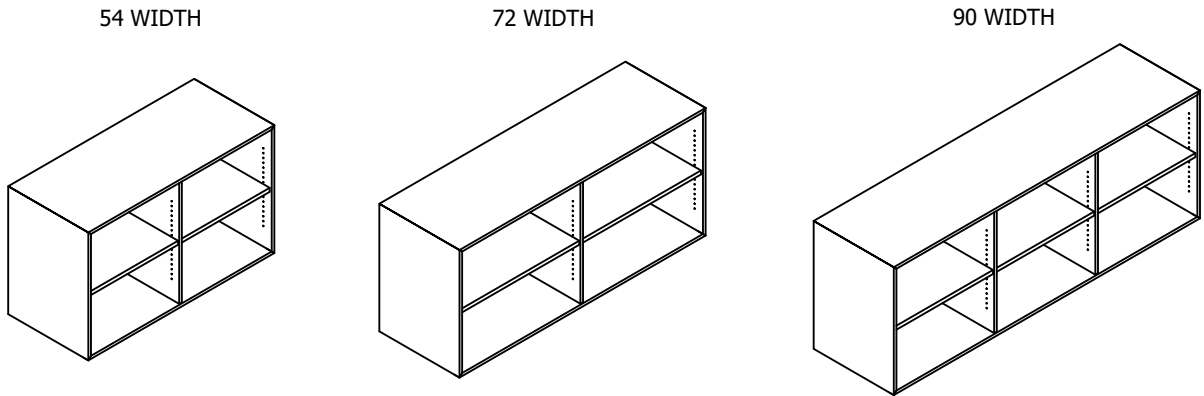
Note:

Line drawings in this price list are purely for quick product identification without form of detail and cannot be used to satisfy production dimensions, shape or support options. Refer to Planning Guide for detailed product information.

BOOKCASE CREDENZA MATRIX



BOOKCASE ELEVATION SPECIFICATIONS



BOOKCASE CONFIGURATIONS

General Specifications

Credenzas

Product Overview

Bookcase Construction Notes:

Top and end panels are 3/4" thick wood panels with butt-jointed corners.

Bottom panel is a 3/4" thick wood panel that is butt-jointed to the end panels.

Back panel is a 3/4" thick inset wood panel.

Back panel is picture-framed by the top and end panels exposing the butt-jointed corners while the bottom panel set back and hidden from view behind the back panel.

Vertical divider panels are 3/4" thick wood panels.

Shelves are 1" thick wood panels and adjustable in 32 mm (1-1/4") increments with a nominal minimum clearance of 6" on top or bottom.

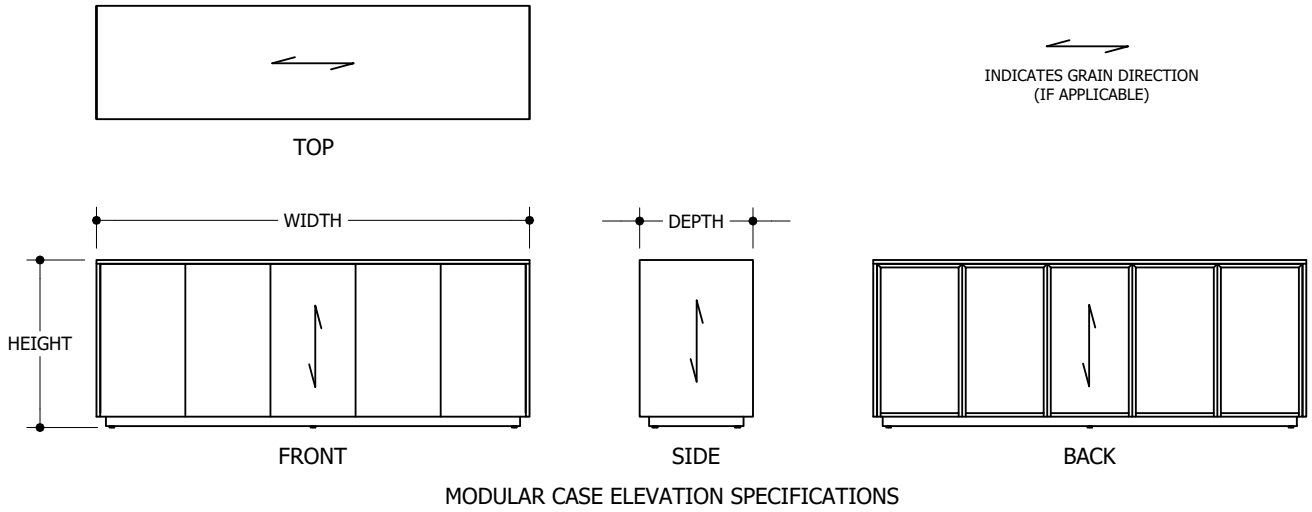
Bases are 2" high wood panels recessed 2" on all sides.

All components finished to match in either a veneer or satin lacquer finish.

General Specifications

Credenzas Product Overview

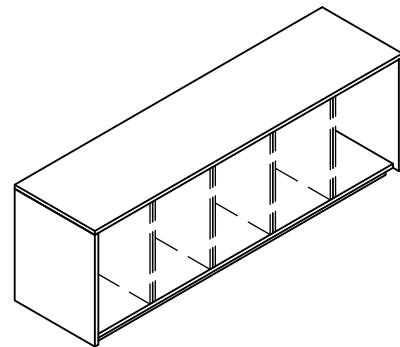
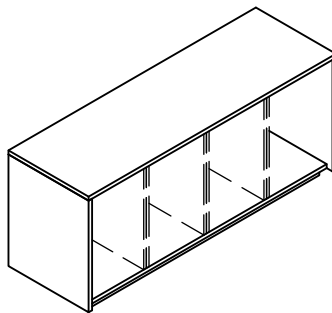
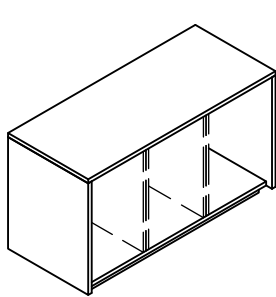
MODULAR CREDENZA CASE MATRIX



54, 60 & 66 WIDTHS
(3 INSERTS)

72, 78 & 84 WIDTHS
(4 INSERTS)

90, 96 & 102 WIDTHS
(5 INSERTS)



MODULAR CREDENZA CONFIGURATIONS

General Specifications

Credenzas

Product Overview

Modular Case Construction Notes:

Top and end panels are 3/4" thick wood panels with butt-jointed corners.

Bottom panel is a 3/4" thick wood panel that is butt-jointed to the end panels.

Bottom Panel is recessed and hidden behind drawer and door fronts.

Back panel is a 3/4" thick inset wood panel, picture-framed by the top and end panels exposing the butt-jointed corners while the bottom panel is set back and hidden from view behind the back panel.

Bases are 2" high wood panels recessed 2" on all sides.

A\V Rack and/or Cool Drawer 24" wide insert positions are equipped with an 18" wide x 19" high cutout in the back panel as well as two 6" wide x 1" deep grommets along the front edge of the bottom panel for ventilation.

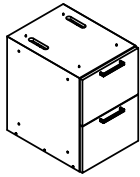
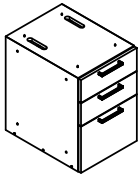
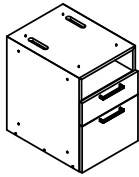
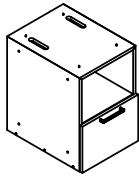
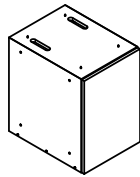
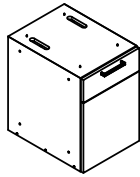
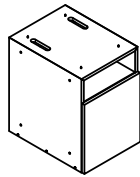
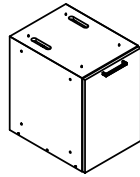
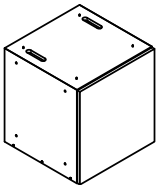
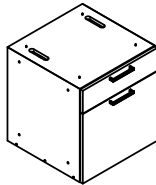
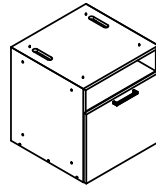
All components finished to match in either a veneer or satin lacquer finish.

General Specifications

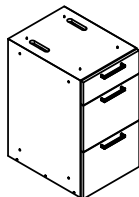
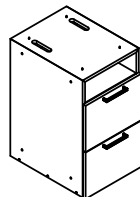
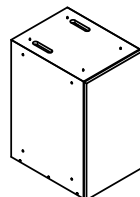
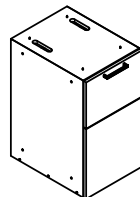
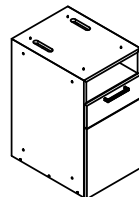
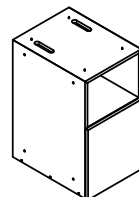
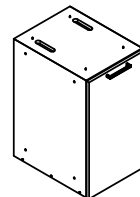
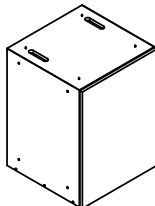
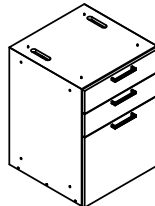
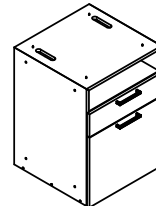
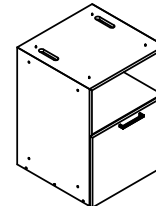
Credenzas Product Overview

MODULAR CREDENZA INSERT MATRIX

29 HIGH MODULAR CREDENZA INSERT CONFIGURATIONS

							
18FFMB	18FBBMB	18FBOMB	18FOMB	18HL 18HR	18HBLMB 18HBRMB	18HOL 18HOR	18TMB
FILE DRAWER FILE DRAWER	BOX DRAWER BOX DRAWER FILE DRAWER	OPEN SHELF BOX DRAWER FILE DRAWER	OPEN SHELF FILE DRAWER	HINGE DOOR *	BOX DRAWER HINGE DOOR *	OPEN SHELF HINGE DOOR *	PULL-OUT TRASH
  							
24AL 24AR AV HINGE DOOR *							
24CBMB BOX DRAWER FRIDGE DRAWER							
24COMB OPEN SHELF FRIDGE DRAWER							

35 HIGH MODULAR CREDENZA INSERT CONFIGURATIONS

						
18FFBMB	18FFOMB	18HL 18HR	18HFL 18HFR	18HBOLMB 18HBORMB	18HOL 18HOR	18TMB
BOX DRAWER FILE DRAWER FILE DRAWER	OPEN SHELF FILE DRAWER FILE DRAWER	HINGE DOOR *	FILE DRAWER HINGE DOOR *	OPEN SHELF BOX DRAWER HINGE DOOR *	OPEN SHELF HINGE DOOR *	PULL-OUT TRASH
   						
24AL 24AR AV HINGE DOOR						
24CBBMB BOX DRAWER BOX DRAWER FRIDGE DRAWER						
24CBOMB OPEN SHELF BOX DRAWER FRIDGE DRAWER						
24COMB OPEN SHELF FRIDGE DRAWER						

General Specifications

Credenzas

Product Overview

Insert Construction Notes:

End panels are 3/4" thick wood panels.

Horizontal divider panels are 3/4" thick wood panels.

Shelves are 1" thick wood panels and adjustable in 32 mm (1-1/4") increments with a nominal minimum clearance of 6" on top or bottom.

Drawer and door fronts are 3/4" thick wood panels.

Drawers constructed using 1/2" thick wood panels for the front, back and sides with a 3/16" thick wood bottom.

File and box drawers run on fully concealed, under-mounted, full-extension, soft-closing slides rated for 110 pounds per pair.

Drawers and pull-out trash are equipped with pulls.

Hinged doors use 110° free-swing hinges with touch-latch and no pulls.

Fronts are inset 1/4" from the front of the case, creating an iconic and unique aesthetic detail.

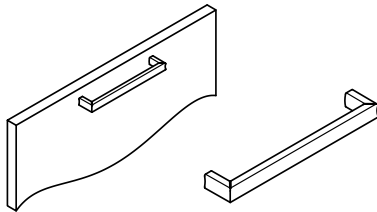
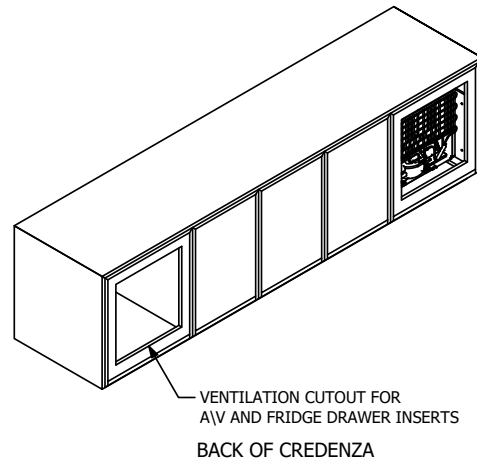
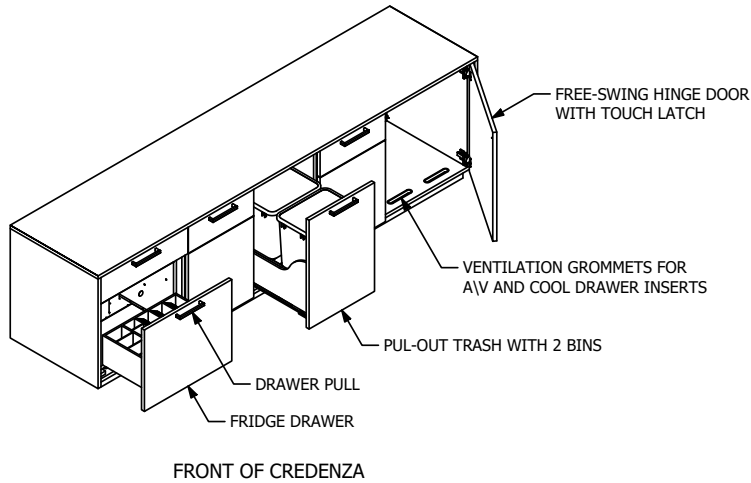
Interior components are finished to match the case in a veneer or satin lacquer finish.

Fronts can be specified with a different veneer or satin lacquer finish than the case.

General Specifications

Credenzas Product Overview

CREDENZA KEY FEATURES



MITRED DRAWER PULL (MB)

AVAILABLE FINISHES:

- BRUSHED NICKLE (HBN)
- MATT BLACK (HMB)

DIMENSIONS:

- 6-5/8" WIDE x 1-1/8" DEEP x 1/2" HIGH

MOUNTING LOCATION ON DRAWERS AND DOORS:

- CENTRED ON WIDTH
- 1" DOWN FROM TOP OF FRONT TO CENTRE OF PULL



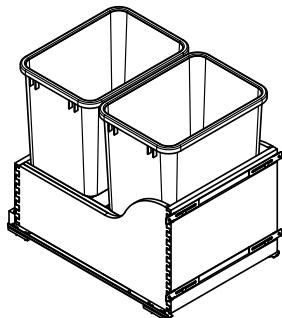
FRIDGE DRAWER

SIZE CAPACITY OF 42L (1.48 Cu. Ft.) WITH 2 TRAYS...

- LARGE (LOWER) TRAY CAN HANDLE ITEMS SUCH AS BOTTLES AND CANS.
- SMALL (UPPER) TRAY IS PERFECT FOR SMALLER ITEMS LIKE MINI BOTTLES OR CONDIMENT PACKETS.

MAXIMUM COOLING CAPACITY OF 40°C (104°F)

REQUIRES A 120V CONNECTION FOR POWER.



PULL-OUT TRASH

EQUIPPED WITH TWO 35-QUART WASTE CONTAINERS THAT RUN ON FULL-EXTENSION, SOFT-CLOSING SLIDES.

WOOD BOTTOM CONSTRUCTED USING 1/2" MAPLE PANELS.

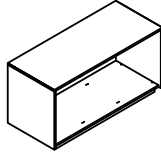
TRASH BINS ARE CONSTRUCTED OF A BLACK POLYMER MATERIAL.

General Specifications

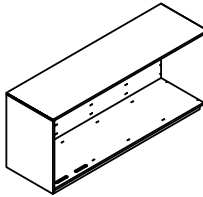
Credenzas Product Overview

SPECIFYING MODULAR CREDENZAS

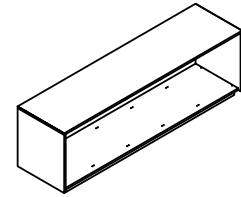
STEP 1: THE CASE
SELECT HEIGHT AND WIDTH OPTIONS



07CRM292456
29H x 24D x 56W CREDENZAS CASE



07CRM352480L
35H x 24D x 86W CREDENZAS CASE
w\ 24W VENTED POSITION ON LEFT



07CRM292492
29H x 24D x 92W CREDENZAS CASE

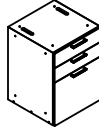
STEP 2: THE INSERTS
SELECT DESIRED CONFIGURATION



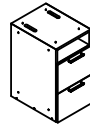
18FBBMB
FILE\BOX\BOX
QTY 2



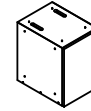
18FBOMB
FILE\BOX\OPEN
QTY 1



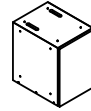
24CBBMB
FRIDGE\BOX\BOX
QTY 1



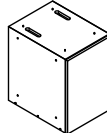
18FFOMB
FILE\FILE\OPEN
QTY 2



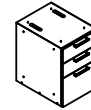
18HL
HINGE DOOR LEFT
QTY 1



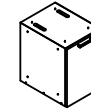
18HR
HINGE DOOR RIGHT
QTY 1



18HR
HINGE DOOR RIGHT
QTY 1

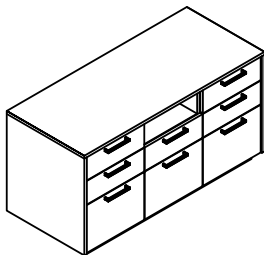


18FBBMB
FILE\BOX\BOX
QTY 2

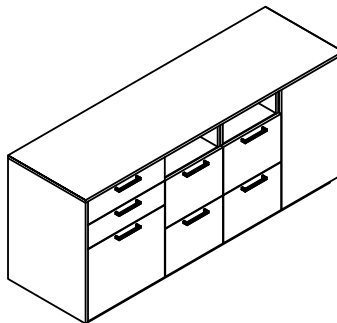


18TMB
PULL-OUT TRASH
QTY 1

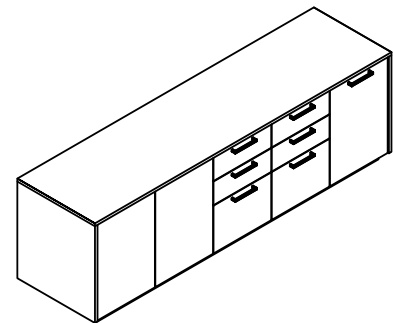
STEP 3: THE PRODUCT
CREDENZAS IS NOW FULLY SPECIFIED



07CRM292456-18FBBMB-18FBOMB-18FBBMB
29H x 24D x 56W CREDENZAS ASSEMBLY



07CRM352480L-24CBBMB-18FFOMB-18FFOMB-18HR
35H x 24D x 86W CREDENZAS ASSEMBLY



07CRM292492-18HL-18HR-18FBBMB-18FBBMB-18TMB
29H x 24D x 92W CREDENZAS ASSEMBLY

General Specifications

Credenzas

Product Overview

Application Notes

All credenzas are equipped with floor levelers to level the credenza.

No assembly required. All credenzas are shipped fully assembled.

Coordinate AV requirements with the interior overall clearance dimensions provided below to ensure proper fit. Consult with your AV contractor for specific component requirements. Custom solutions are available upon request.

For 29 high x 24" wide credenza insert:

25-1/16" height x 22-3/8" width x 21-15/16" depth

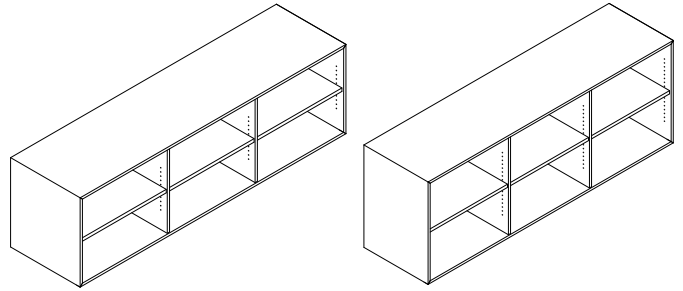
For 35 high x 24" wide credenza insert:

31-1/2" height x 22-3/8" width x 21-15/16" depth

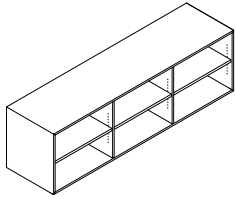
Bookcase

29" and 35" High

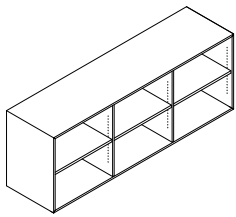
Credenzas



Description	Type	D	W	H	Pattern No.	Painted	T1	T2
Bookcase, 29" High	56" Wide	24"	55 3/4"	29"	07CRB292456	\$4,742	\$6,323	\$7,811
	74" Wide	24"	73 3/4"	29"	07CRB292474	5,534	7,386	9,263
	92" Wide	24"	91 3/4"	29"	07CRB292492	6,326	8,442	10,723



Bookcase, 35" High	56" Wide	24"	55 3/4"	35"	07CRB352456	5,162	6,853	8,497
	74" Wide	24"	73 3/4"	35"	07CRB352474	6,076	8,054	10,140
	92" Wide	24"	91 3/4"	35"	07CRB352492	6,991	9,265	11,780



Order Code	Specification Information	Pricing Tiers
Example: 07CRB292456	To order please specify pattern number including: 1. Case finish	Painted Case T1 = Tier 1 veneer case T2 = Tier 2 veneer case
07 JD Collection		
CR Credenza		
B Bookcase		
29 29" High		
24 24" Deep		
56 56" Wide		

Application Notes

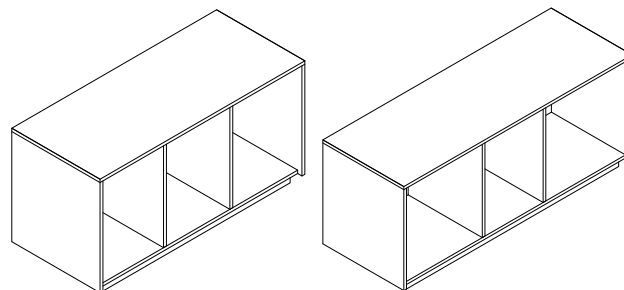
Construction:
 Top and end panels are 3/4" thick wood panels with butt-jointed corners.
 Bottom panel is a 3/4" thick wood panel that is butt-jointed to the end panels.
 Back panel is a 3/4" thick inset wood panel.
 Back panel is picture-framed by the top and end panels exposing the butt-jointed corners while the bottom panel set back and hidden from view behind the back panel.

Vertical divider panels are 3/4" thick wood panels.
 Shelves are 1" thick wood panels and adjustable in 32 mm (1 1/4") increments with a nominal minimum clearance of 6" on top or bottom.
 Bases are 2" high wood panels recessed 2" on all sides.
 All components finished to match in either a veneer or satin lacquer finish.

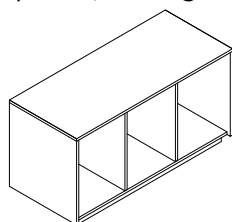
3 Position Credenzas

29" High

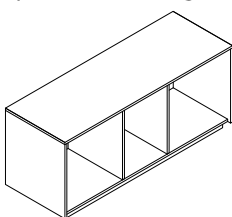
Credenzas



Description	Type	D	W	H	Pattern No.	Painted	T1	T2
3 Positions with File Drawer, Hinge Door, Pull Out-Trash & Box Drawers configuration options, 29" High	3 x 18" wide inserts	24"	55 3/4"	29"	07CRM292456	\$4,429	\$5,686	\$6,661



3 Positions with AV Hinge door, Cool Drawer, File Drawer, Hinge Door, Pull Out-Trash and Box Drawers configuration options, 29" High	1 x 18" insert & 2 x 24"w insert on both ends	24"	67 3/4"	29"	07CRM292468	4,887	6,256	7,385
	2 x 18" insert & 1 x 24"w insert on the left	24"	61 3/4"	29"	07CRM292462L	4,662	5,968	7,020
	2 x 18" insert & 1 x 24"w insert on the right	24"	61 3/4"	29"	07CRM292462R	4,662	5,968	7,020



Order Code	Specification Information	Pricing Tiers
Example: 07CRM292456	To order please specify pattern number including:	Painted Case
07 JD Collection	1. Case finish	T1 = Tier 1 veneer case
CR Credenza	2. Front finish	T2 = Tier 2 veneer case
M Modular	3. Position 1/2/3 insert configuration	Pull Finish Options:
29 29" High	4. Pull Finish	HBN = Brushed Nickel
24 24" Deep		HMB = Matt Black
56 56" Wide		Note that the credenzas are priced as modular components. The prices listed above are the case prices. The inserts are priced separately. Please refer to page 76-79 for insert pricing.

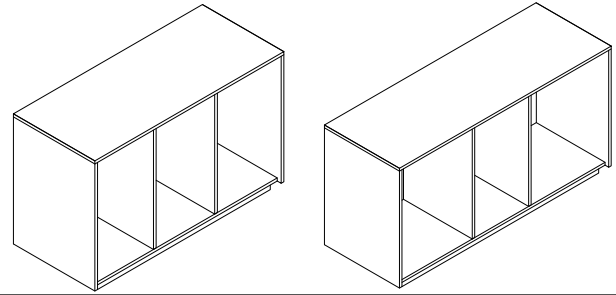
Application Notes

Construction:
 Top and end panels are 3/4" thick wood panels with butt-jointed corners.
 Bottom panel is a 3/4" thick wood panel that is butt-jointed to the end panels.
 Back panel is a 3/4" thick inset wood panel.
 Back panel is picture-framed by the top and end panels exposing the butt-jointed corners while the bottom panel set back and hidden from view behind the back panel.

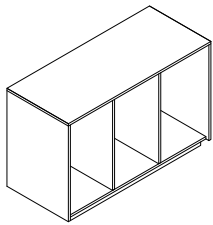
Bases are 2" high wood panels recessed 2" on all sides.
 A/V Rack and/or Cool Drawer 24" wide insert positions are equipped with an 18" wide x 19" high cutout in the back panel as well as two 6" wide x 1" deep grommets along the front edge of the bottom panel for ventilation.
 All components finished to match in either a veneer or satin lacquer finish.

3 Position Credenzas

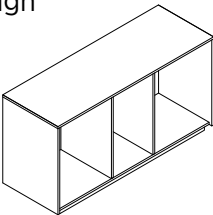
35" High



Description	Type	D	W	H	Pattern No.	Painted	T1	T2
3 Positions with File Drawer, Hinge Door, Pull Out-Trash & Box Drawers configuration options, 35" High	3 x 18" wide inserts	24"	55 3/4"	35"	07CRM352456	\$4,807	\$6,144	\$7,227



3 Positions with AV Hinge door, Cool Drawer, File Drawer, Hinge Door, Pull Out-Trash and Box Drawers configuration options, 35" High	1 x 18" insert & 2 x 24"w insert on both ends	24"	67 3/4"	35"	07CRM352468	5,340	6,794	8,039
	2 x 18" insert & 1 x 24"w insert on the left	24"	61 3/4"	35"	07CRM352462L	5,077	6,472	7,633
	2 x 18" insert & 1 x 24"w insert on the right	24"	61 3/4"	35"	07CRM352462R	5,077	6,472	7,633



Order Code	Specification Information	Pricing Tiers
Example: 07CRM352456	To order please specify pattern number including:	Painted Case
07 JD Collection	1. Case finish	T1 = Tier 1 veneer case
CR Credenza	2. Front finish	T2 = Tier 2 veneer case
M Modular	3. Position 1/2/3 insert configuration	Pull Finish Options:
35 35" High	4. Pull Finish	HBN = Brushed Nickel
24 24" Deep	Positions are specified left to right. Please refer to page 75-78 for insert configuration codes.	HMB = Matt Black
56 56" Wide		Note that the credenzas are priced as modular components. The prices listed above are the case prices. The inserts are priced separately. Please refer to page 76-79 for insert pricing.

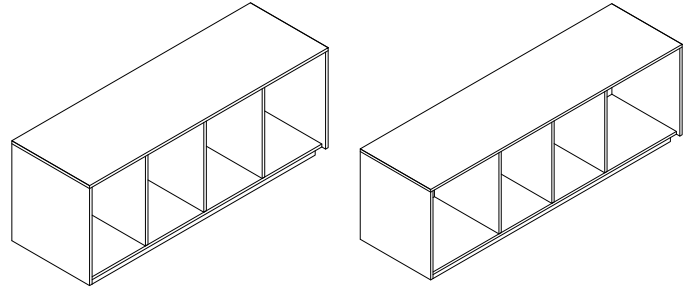
Application Notes

Construction:
 Top and end panels are 3/4" thick wood panels with butt-jointed corners.
 Bottom panel is a 3/4" thick wood panel that is butt-jointed to the end panels.
 Back panel is a 3/4" thick inset wood panel.
 Back panel is picture-framed by the top and end panels exposing the butt-jointed corners while the bottom panel set back and hidden from view behind the back panel.

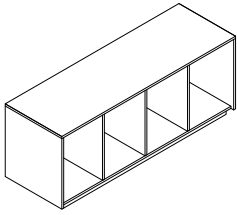
Bases are 2" high wood panels recessed 2" on all sides.
 A/V Rack and/or Cool Drawer 24" wide insert positions are equipped with an 18" wide x 19" high cutout in the back panel as well as two 6" wide x 1" deep grommets along the front edge of the bottom panel for ventilation.
 All components finished to match in either a veneer or satin lacquer finish.

4 Position Credenza

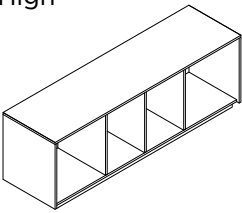
29" High



Description	Type	D	W	H	Pattern No.	Painted	T1	T2
4 Positions with File Drawer, Hinge Door, Pull Out-Trash & Box Drawers configuration options, 29" High	4 x 18" wide inserts	24"	73 3/4"	29"	07CRM292474	\$5,116	\$6,538	\$7,754



4 Positions with AV Hinge door, Cool Drawer, File Drawer, Hinge Door, Pull Out-Trash and Box Drawers configuration options, 29" High	2 x 18" insert & 2 x 24"w insert on both ends	24"	85 3/4"	29"	07CRM292486	5,580	7,106	8,472
	3 x 18" insert & 1 x 24"w insert on the left	24"	79 3/4"	29"	07CRM292480L	5,353	6,397	8,109
	3 x 18" insert & 1 x 24"w insert on the right	24"	79 3/4"	29"	07CRM292480R	5,353	6,397	8,109



Order Code	Specification Information	Pricing Tiers
Example: 07CRM292474	To order please specify pattern number including:	Painted Case
07 JD Collection	1. Case finish	T1 = Tier 1 veneer case
CR Credenza	2. Front finish	T2 = Tier 2 veneer case
M Modular	3. Position 1/2/3/4 insert configuration	Pull Finish Options:
29 29" High	4. Pull Finish	HBN = Brushed Nickel
24 24" Deep		HMB = Matt Black
56 74" Wide		Note that the credenzas are priced as modular components. The prices listed above are the case prices. The inserts are priced separately. Please refer to page 76-79 for insert pricing.

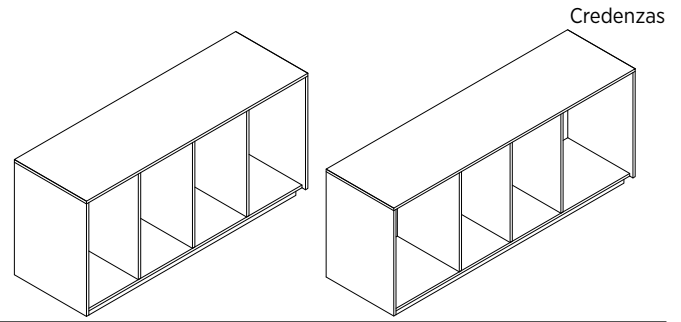
Application Notes

Construction:
 Top and end panels are 3/4" thick wood panels with butt-jointed corners.
 Bottom panel is a 3/4" thick wood panel that is butt-jointed to the end panels.
 Back panel is a 3/4" thick inset wood panel.
 Back panel is picture-framed by the top and end panels exposing the butt-jointed corners while the bottom panel set back and hidden from view behind the back panel.

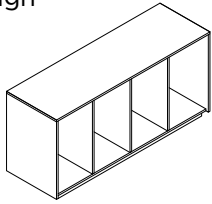
Bases are 2" high wood panels recessed 2" on all sides.
 A/V Rack and/or Cool Drawer 24" wide insert positions are equipped with an 18" wide x 19" high cutout in the back panel as well as two 6" wide x 1" deep grommets along the front edge of the bottom panel for ventilation.
 All components finished to match in either a veneer or satin lacquer finish.

4 Position Credenzas

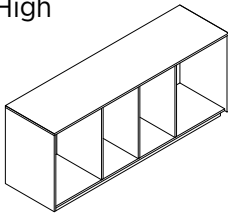
35" High



Description	Type	D	W	H	Pattern No.	Painted	T1	T2
4 Positions with File Drawer, Hinge Door, Pull Out-Trash & Box Drawers configuration options, 35" High	4 x 18" wide inserts	24"	73 3/4"	35"	07CRM352474	\$5,581	\$7,112	\$8,447



4 Positions with AV Hinge door, Cool Drawer, File Drawer, Hinge Door, Pull Out-Trash and Box Drawers configuration options, 35" High	2 x 18" insert & 2 x 24"w insert on both ends	24"	85 3/4"	35"	07CRM352486	6,146	7,776	9,274
	3 x 18" insert & 1 x 24"w insert on the left	24"	79 3/4"	35"	07CRM352480L	5,875	7,444	8,865
	3 x 18" insert & 1 x 24"w insert on the right	24"	79 3/4"	35"	07CRM352480R	5,875	7,444	8,865



Order Code	Specification Information	Pricing Tiers
Example: 07CRM352474	To order please specify pattern number including:	Painted Case
07 JD Collection	1. Case finish	T1 = Tier 1 veneer case
CR Credenza	2. Front finish	T2 = Tier 2 veneer case
M Modular	3. Position 1/2/3/4 insert configuration	Pull Finish Options:
35 35" High	4. Pull Finish	HBN = Brushed Nickel
24 24" Deep		HMB = Matt Black
56 74" Wide		

Note that the credenzas are priced as modular components. The prices listed above are the case prices. The inserts are priced separately. Please refer to [page 76-79](#) for insert pricing.

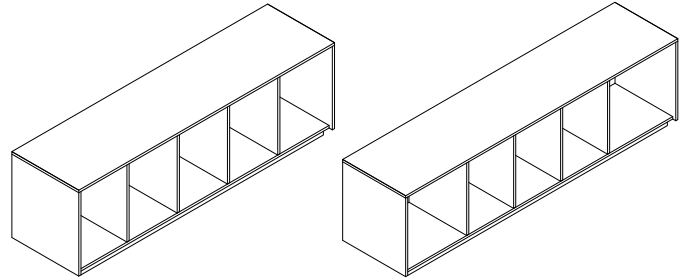
Application Notes

Construction:
 Top and end panels are 3/4" thick wood panels with butt-jointed corners.
 Bottom panel is a 3/4" thick wood panel that is butt-jointed to the end panels.
 Back panel is a 3/4" thick inset wood panel.
 Back panel is picture-framed by the top and end panels exposing the butt-jointed corners while the bottom panel set back and hidden from view behind the back panel.

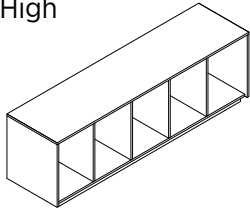
Bases are 2" high wood panels recessed 2" on all sides.
 A/V Rack and/or Cool Drawer 24" wide insert positions are equipped with an 18" wide x 19" high cutout in the back panel as well as two 6" wide x 1" deep grommets along the front edge of the bottom panel for ventilation.
 All components finished to match in either a veneer or satin lacquer finish.

5 Position Credenza

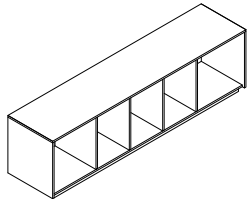
29" High



Description	Type	D	W	H	Pattern No.	Painted	T1	T2
5 Positions with File Drawer, Hinge Door, Pull Out-Trash & Box Drawers configuration options, 29" High	5 x 18" wide inserts	24"	91 3/4"	29"	07CRM292492	\$5,813	\$7,393	\$8,842



5 Positions with AV Hinge door, Cool Drawer, File Drawer, Hinge Door, Pull Out-Trash and Box Drawers configuration options, 29" High	3 x 18" insert & 2 x 24"w insert on both ends	24"	103 3/4"	29"	07CRM2924104	6,267	7,954	9,563
	4 x 18" insert & 1 x 24"w insert on the left	24"	97 3/4"	29"	07CRM292498L	6,039	7,673	9,204
	4 x 18" insert & 1 x 24"w insert on the right	24"	97 3/4"	29"	07CRM292498R	6,039	7,673	9,204



Order Code	Specification Information	Pricing Tiers
Example: 07CRM292492	To order please specify pattern number including:	Painted Case
07 JD Collection	1. Case finish	T1 = Tier 1 veneer case
CR Credenza	2. Front finish	T2 = Tier 2 veneer case
M Modular	3. Position 1/2/3/4/5 insert configuration	Pull Finish Options:
29 29" High	4. Pull Finish	HBN = Brushed Nickel
24 24" Deep		HMB = Matt Black
92 92" Wide		Note that the credenzas are priced as modular components. The prices listed above are the case prices. The inserts are priced separately. Please refer to page 76-79 for insert pricing.

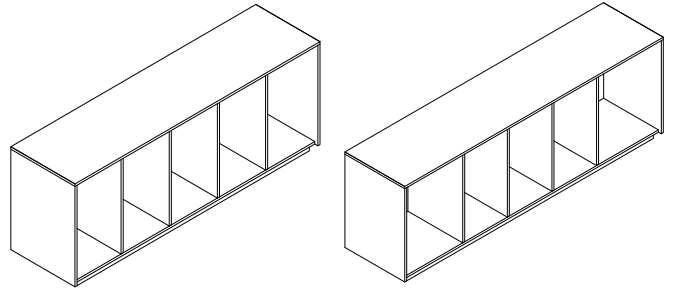
Application Notes

Construction:
 Top and end panels are 3/4" thick wood panels with butt-jointed corners.
 Bottom panel is a 3/4" thick wood panel that is butt-jointed to the end panels.
 Back panel is a 3/4" thick inset wood panel.
 Back panel is picture-framed by the top and end panels exposing the butt-jointed corners while the bottom panel set back and hidden from view behind the back panel.

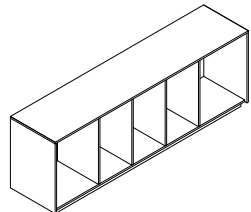
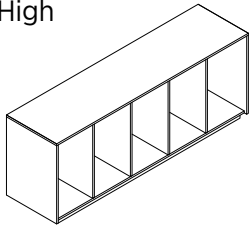
Bases are 2" high wood panels recessed 2" on all sides.
 A/V Rack and/or Cool Drawer 24" wide insert positions are equipped with an 18" wide x 19" high cutout in the back panel as well as two 6" wide x 1" deep grommets along the front edge of the bottom panel for ventilation.
 All components finished to match in either a veneer or satin lacquer finish.

5 Position Credenzas

35" High



Description	Type	D	W	H	Pattern No.	Painted	T1	T2
5 Positions with File Drawer, Hinge Door, Pull Out-Trash & Box Drawers configuration options, 35" High	5 x 18" wide inserts	24"	91 3/4"	35"	07CRM352492	\$6,412	\$8,096	\$9,683
5 Positions with AV Hinge door, Cool Drawer, File Drawer, Hinge Door, Pull Out-Trash and Box Drawers configuration options, 35" High	3 x 18" insert & 2 x 24"w insert on both ends	24"	103 3/4"	35"	07CRM3524104	6,946	8,746	10,507
	4 x 18" insert & 1 x 24"w insert on the left	24"	97 3/4"	35"	07CRM352498L	6,684	8,415	10,101
	4 x 18" insert & 1 x 24"w insert on the right	24"	97 3/4"	35"	07CRM352498R	6,684	8,415	10,101



Order Code	Specification Information	Pricing Tiers
Example: 07CRM352492	To order please specify pattern number including:	Painted Case
07 JD Collection	1. Case finish	T1 = Tier 1 veneer case
CR Credenza	2. Front finish	T2 = Tier 2 veneer case
M Modular	3. Position 1/2/3/4/5 insert configuration	Pull Finish Options:
35 35" High	4. Pull Finish	HBN = Brushed Nickel
24 24" Deep		HMB = Matt Black
92 92" Wide		Note that the credenzas are priced as modular components. The prices listed above are the case prices. The inserts are priced separately. Please refer to page 76-79 for insert pricing.


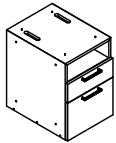
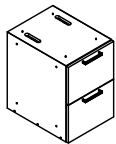
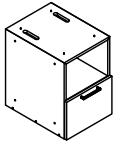
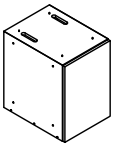
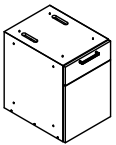
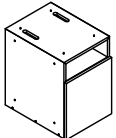
Application Notes

Construction:
 Top and end panels are 3/4" thick wood panels with butt-jointed corners.
 Bottom panel is a 3/4" thick wood panel that is butt-jointed to the end panels.
 Back panel is a 3/4" thick inset wood panel.
 Back panel is picture-framed by the top and end panels exposing the butt-jointed corners while the bottom panel set back and hidden from view behind the back panel.

Bases are 2" high wood panels recessed 2" on all sides.
 A/V Rack and/or Cool Drawer 24" wide insert positions are equipped with an 18" wide x 19" high cutout in the back panel as well as two 6" wide x 1" deep grommets along the front edge of the bottom panel for ventilation.
 All components finished to match in either a veneer or satin lacquer finish.

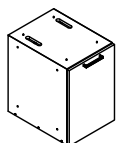
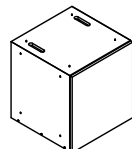
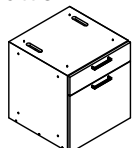
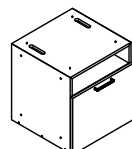
Credenza Inserts

29" High

Description	Type	D	W	H	Pattern No.	Painted	T1	T2
1 x File Drawer & 2 x Box Drawer	29"h insert	24"	18"	29"	18FBBMB	\$1,619	\$1,841	\$1,960
								
1 x File Drawer & 1 x Box Drawer & 1 x Open Shelf	29"h insert	24"	18"	29"	18FBOMB	1,487	1,718	1,838
								
2 x File Drawer	29"h insert	24"	18"	29"	18FFMB	1,479	1,697	1,816
								
1 x File Drawer & 1 x Open Shelf	29"h insert	24"	18"	29"	18FOMB	1,303	1,534	1,653
								
1 x Hinged Door	29"h insert	24"	18"	29"	18H(L/R)	1,131	1,362	1,481
								
1 x Hinged Door & 1 x Box Drawer	29"h insert	24"	18"	29"	18HB(L/R)MB	1,315	1,546	1,666
								
1 x Hinged Door & 1 x Open Shelf	29"h insert	24"	18"	29"	18HO(L/R)	1,131	1,362	1,481
								

Credenza Inserts

29" High

Description	Type	D	W	H	Pattern No.	Painted	T1	T2
1 x Pull-Out Trash 	29"h insert	24"	18"	29"	18TMB	1,594	1,824	1,945
1 x AV Hinged Door 	29"h insert	24"	24"	29"	24A(L/R)	1,176	1,407	1,526
1 x Refrigerator Drawer & 1 x Box Drawer 	29"h insert	24"	24"	29"	24CBMB	4,544	4,781	4,895
1 x Refrigerator Drawer & 1 x Open Shelf 	29"h insert	24"	24"	29"	24COMB	4,544	4,781	4,895

Specification Information

The above insert configuration codes are included in the pattern string of the modular credenzas on pages 46 to 56. Note that insert configuration prices should be added onto 3-position, 4-position and 5-position case prices.

Application Notes

End panels are 3/49 thick wood panels.
 Horizontal divider panels are 3/49 thick wood panels.
 Shelves are 1" thick wood panels and adjustable in 32 mm (1 1/4") increments with a nominal minimum clearance of 6" on top or bottom.
 Drawer and door fronts are 3/4" thick wood panels.
 Drawers constructed using 1/2" thick wood panels for the front, back and sides with a 3/16" thick wood bottom.
 File and box drawers run on fully concealed, under-mounted, full-extension, soft-closing slides rated for 110 pounds per pair.

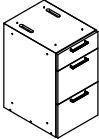

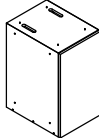
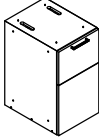
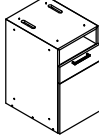
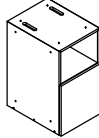
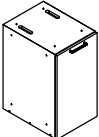
Pricing Tiers

Painted Case
 T1 = Tier 1 veneer case
 T2 = Tier 2 veneer case

Drawers and pull-out trash are equipped with pulls.
 Hinged doors use 110" free-swing hinges with touch-latch and no pulls.
 Fronts are inset 1/4" from the front of the case, creating an iconic and unique aesthetic detail.
 Fronts can be specified with a different veneer or satin lacquer finish then the case.
 Interior components are finished to match the front in a veneer or satin lacquer finish.

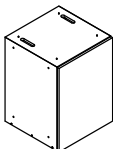


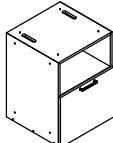
Credenza Inserts

35" High

Description	Type	D	W	H	Pattern No.	Painted	T1	T2
2 x File Drawer & 1 x Box Drawer 	35"h insert	24"	18"	35"	18FFBMB	\$1,710	\$1,946	\$2,090
2 x File Drawer & 1 x Open Shelf 	35"h insert	24"	18"	35"	18FFOMB	1,525	1,761	1,903
1 x Hinged Door 	35"h insert	24"	18"	35"	18H(L/R)	1,173	1,421	1,560
1 x Hinged Door & 1 x File Drawer 	35"h insert	24"	18"	35"	18HF(L/R)MB	1,408	1,662	1,806
1 x Hinged Door & 1 x Box Drawer & 1 x Open Shelf 	35"h insert	24"	18"	35"	18HBO(L/R)MB	1,367	1,620	1,760
1 x Hinged Door & 1 x Open Shelf 	35"h insert	24"	18"	35"	18HO(L/R)	1,181	1,436	1,580
1 x Pull-Out Trash 	35"h insert	24"	18"	35"	18TMB	1,642	1,899	2,036

Credenza Inserts

35" High

Description	Type	D	W	H	Pattern No.	Painted	T1	T2
1 x AV Hinged Door 	35"h insert	24"	24"	35"	24A(L/R)	1,234	1,462	1,604
1 x Refrigerator Drawer & 2 x Box Drawer 	35"h insert	24"	24"	35"	24CBBMB	4,945	5,199	5,341
1 x Refrigerator Drawer & 1 x Box Drawer & 1 x Open Shelf 	35"h insert	24"	24"	35"	24CBOMB	4,762	5,017	5,158
1 x Refrigerator Drawer & 1 x Open Shelf 	35"h insert	24"	24"	35"	24COMB	4,575	4,834	4,974

Specification Information

The above insert configuration codes are included in the pattern string of the modular credenzas on pages 46 to 56. Note that insert configuration prices should be added onto 3-position, 4-position and 5-position case prices.

Application Notes

End panels are 3/49 thick wood panels.
 Horizontal divider panels are 3/49 thick wood panels.
 Shelves are 1" thick wood panels and adjustable in 32 mm (1 1/4") increments with a nominal minimum clearance of 6" on top or bottom.
 Drawer and door fronts are 3/4" thick wood panels.
 Drawers constructed using 1/2" thick wood panels for the front, back and sides with a 3/16" thick wood bottom.
 File and box drawers run on fully concealed, under-mounted, full-extension, soft-closing slides rated for 110 pounds per pair.

Pricing Tiers

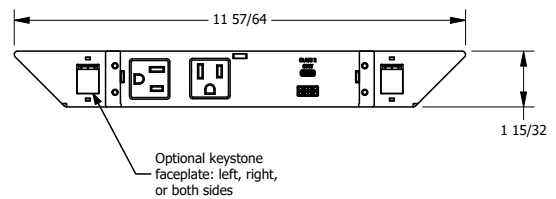
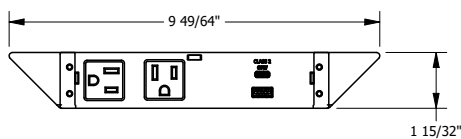
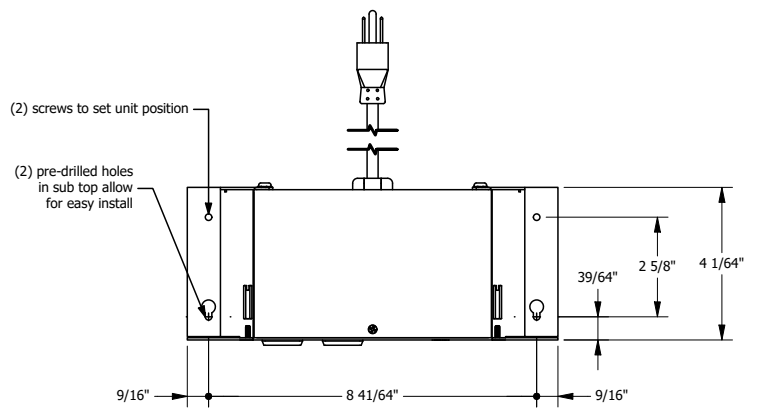
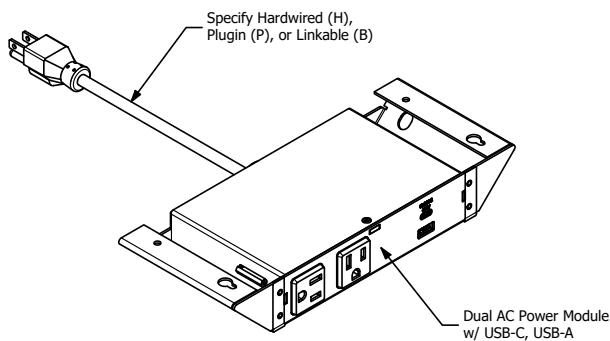
Painted Case
 T1 = Tier 1 veneer case
 T2 = Tier 2 veneer case

Drawers and pull-out trash are equipped with pulls.
 Hinged doors use 110" free-swing hinges with touch-latch and no pulls.
 Fronts are inset 1/4" from the front of the case, creating an iconic and unique aesthetic detail.
 Fronts can be specified with a different veneer or satin lacquer finish then the case.
 Interior components are finished to match the front in a veneer or satin lacquer finish.

Accessories

Power & Connectivity
Undermount Power
For Conference & Media Tables

Pattern No.	Description	LIST
UC0H	Undermount, Hardwire	\$1,692
UC0P	Undermount, Plugin	\$1,692
UC0A	Undermount, Linkable Hardwire	\$1,692
UC0B	Undermount, Linkable Plugin	\$1,692



- Interior: Black powder coat
- Standard with Dual AC Power Module w/ USB-c, USB-A - specify hardwired (H), plugin (P), or linkable (B), and 2 blank end faces. (as shown above)
- For additional connectivity, please contact sale rep.

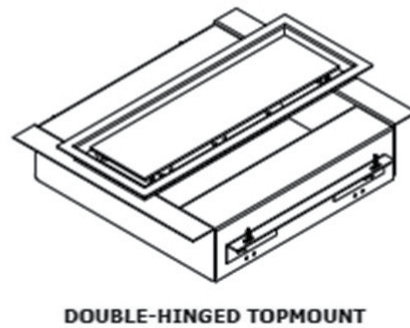
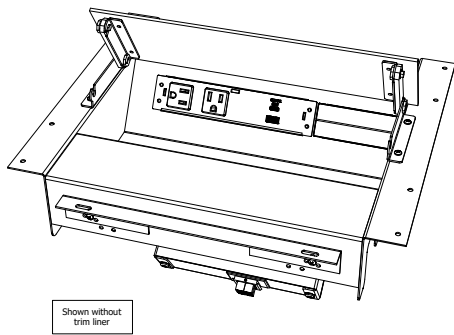
Shown above as a custom solution with (2) keystone cutouts

Power & Connectivity

Dual Flip Table Top

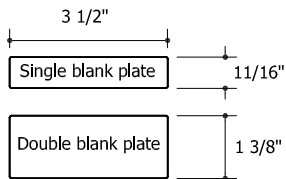
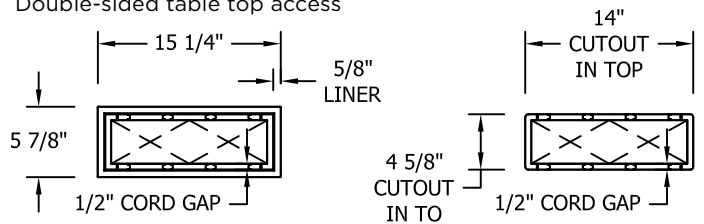
For Conference and Media Tables

Pattern No.	Description	LIST
T2CH	Tabletop, 2-Sided Lid (Metal\Wood), Hardwire	\$3,629
T2CP	Tabletop, 2-Sided Lid (Metal\Wood), Plugin	\$3,629
T2CA	Tabletop, 2-Sided Lid (Metal\Wood), Linkable Hardwire	\$3,629
T2CB	Tabletop, 2-Sided Lid (Metal\Wood), Linkable Plugin	\$3,629



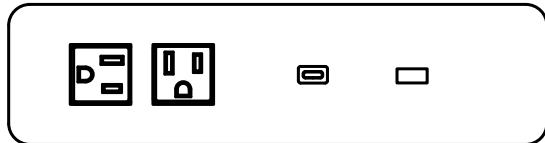
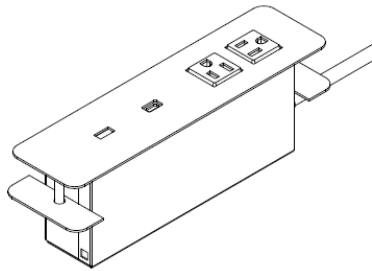
- Interior: Black powder coat metallic finish (MC12)
- Standard with:
 - (2) Dual AC Power Module w/ USB-c, USB-A - specify hardwired (H), plugin (P), or linkable (B).
 - (4) single space blank plates.
- For additional connectivity, replace single and double space blanks with single or double space AAP plates as desired.
- For more information please customer service.

Double-sided table top access



Power & Connectivity
Top Mount
For Waterfall Tables

Pattern No.	Description	LIST
TMHW	Topmount Hardwired QTY 1	\$826
TMPI	Topmount Plug In QTY 1	\$826

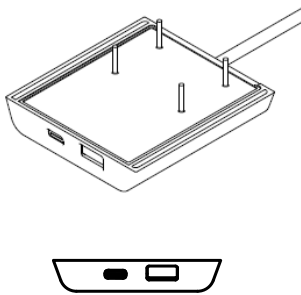


TOPMOUNT POWER
AC + USB-A/C 60W



Power & Connectivity
Perimeter USB
For Waterfall Tables

Pattern No.	Description	LIST
PUHW	Perimeter USB Hardwired QTY 1	\$538
PUPI	Perimeter USB Plug In QTY 1	\$494



PERIMETER POWER
USB-A\C 12\36W



